



Optional Cap & Chain



To cover and protect male/female outlet threads on valves and hydrants. Prevents entry of foreign matter. Available upon request.

Description

Angle hose valve manufactured in accordance with UL668 Hose valve fire protection service is used as fire department outlet or with a hose rack assembly. Available in size 1 1/2 " & 2 1/2 "

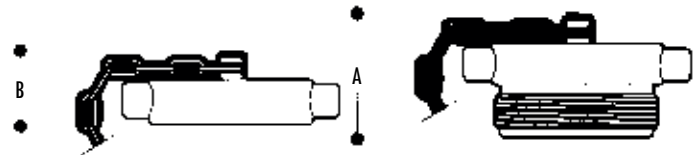
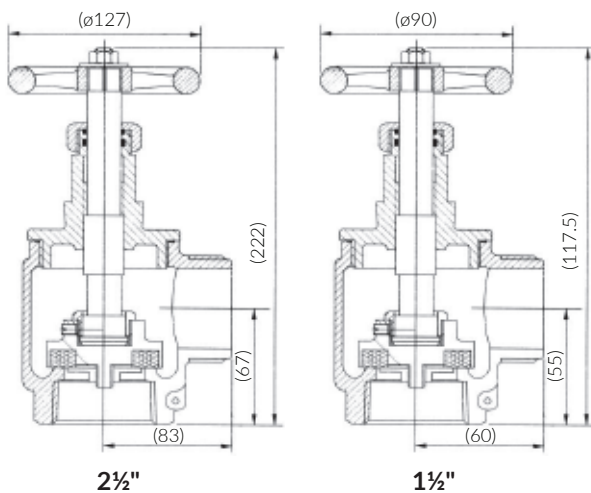
Material

Body Cast	Brass ASTM B584 C85700
Hand Wheel	Ductile Iron ASTM A536 60-40-18

Technical Specification

Rated Pressure	300 PSI
Test Pressure	600 PSI
Sizes	1 1/2 " & 2 1/2 "
Available Finishes	Polished Brass, Royal Chrome Plated & Polished Chrome Plated

Sectional Detail



	1 1/2"	2 1/2"
A	1 ^{35/64} "	2 ^{7/32} "
B	1 ^{35/64} "	1 ^{35/64} "

Angle Valve 1 1/2"

Model AH15 NPT thread Female inlet with 1 1/2" NPT Female thread outlet

Angle Valve 1 1/2"

Model AH20 NPT thread Female inlet with 1 1/2" NST Male thread outlet

Angle Valve 2 1/2"

Model AH25 NPT thread Female inlet with 2 1/2" NPT Female thread outlet

Angle Valve 2 1/2"

Model AH30 NPT thread Female inlet with 2 1/2" NST Male thread outlet