

**GVR, GVS 50Hz/60Hz**



**LIGHT VERTICAL MULTISTAGE CENTRIFUGAL PUMPS**

## **OPERATING INSTRUCTIONS**



**MULTISTAGE STAINLESS STEEL  
CENTRIFUGAL PUMP**

# Contents

## General Data

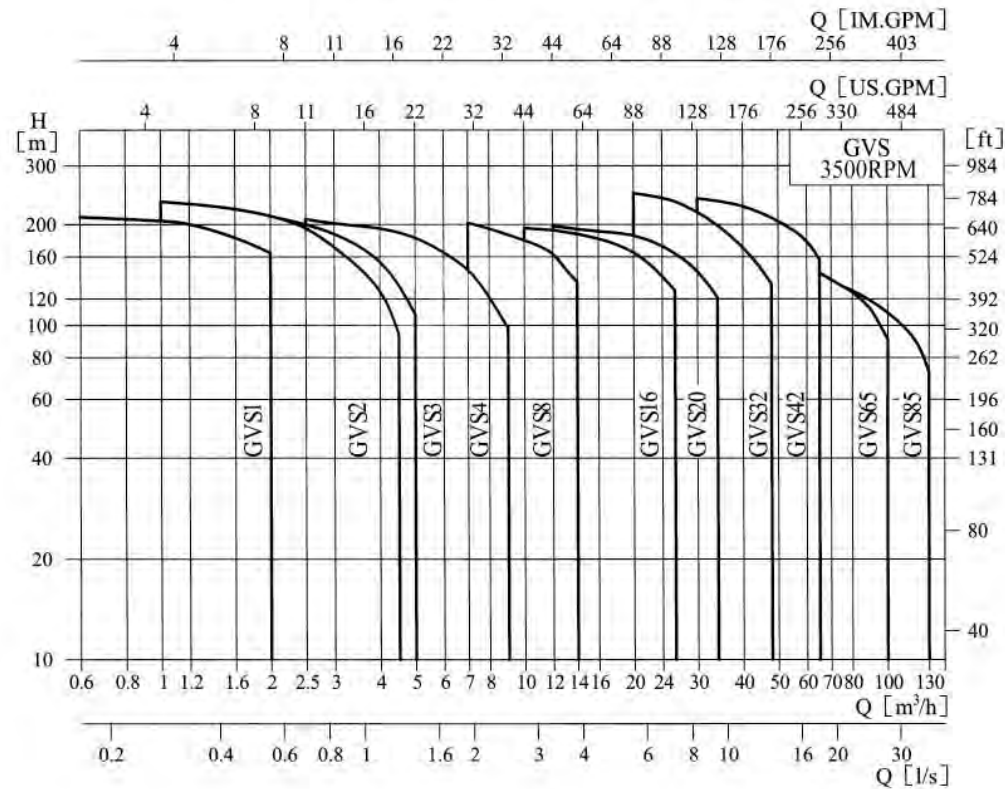
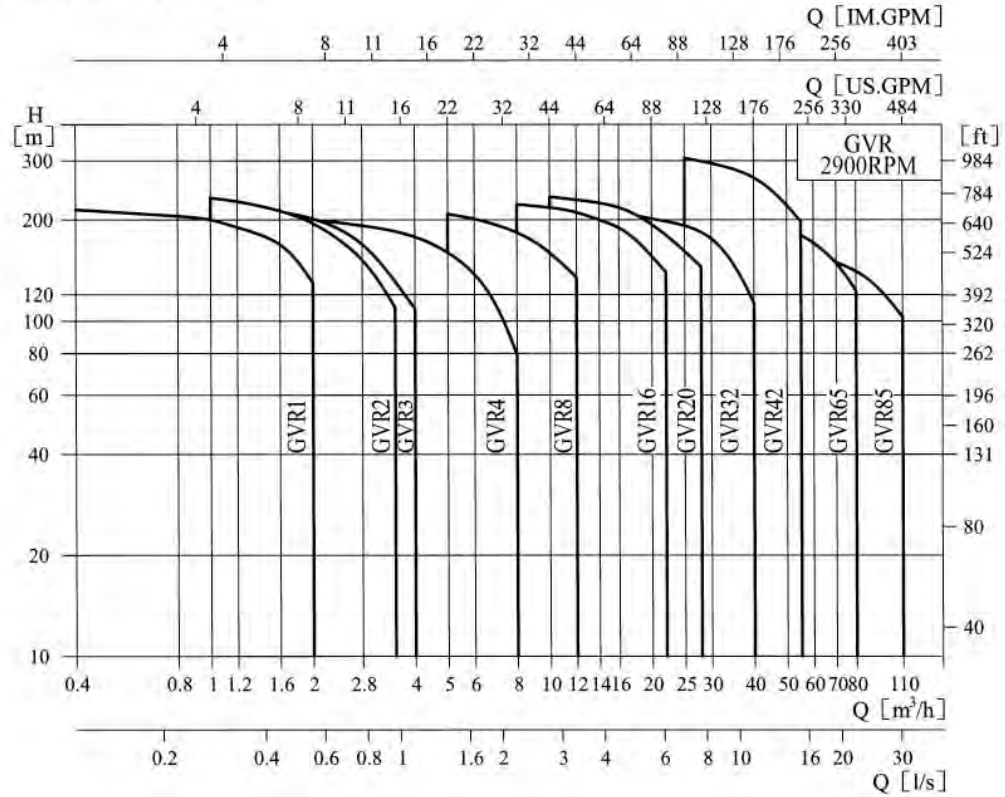
Performance scope .....	1
Product range .....	2
Pump .....	3
Max. inlet pressure .....	4
Max. working pressure .....	5
Curve illustration .....	6
Performance curve .....	6
Min. Inlet pressure NPSH .....	7
Operation in parallel .....	7
Material .....	8

## Technical Data

GVR1, 2900RPM 50 HZ .....	11
GVR2, 2900RPM 50 HZ .....	13
GVR3, 2900RPM 50 HZ .....	15
GVR4, 2900RPM 50 HZ .....	17
GVR8, 2900RPM 50 HZ .....	19
GVR16, 2900RPM 50 HZ .....	21
GVR20, 2900RPM 50 HZ .....	23
GVR32, 2900RPM 50 HZ .....	25
GVR42, 2900RPM 50 HZ .....	27
GVR65, 2900RPM 50 HZ .....	29
GVR85, 2900RPM 50 HZ .....	31
GVS1, 3500RPM 60 HZ .....	33
GVS2, 3500RPM 60 HZ .....	35
GVS3, 3500RPM 60 HZ .....	37
GVS4, 3500RPM 60 HZ .....	39
GVS8, 3500RPM 60 HZ .....	41
GVS16, 3500RPM 60 HZ .....	43
GVS20, 3500RPM 60 HZ .....	45
GVS32, 3500RPM 60 HZ .....	47
GVS42, 3500RPM 60 HZ .....	49
GVS65, 3500RPM 60 HZ .....	51
GVS85, 3500RPM 60 HZ .....	53

# General Data

## ● Performance scope



## ● Product range

Description	GV1	GV2	GV3	GV4	GV8	GV16	GV20	GV32	GV42	GV65	GV85
2900RPM											
Rated flow [m <sup>3</sup> /h]	1	2	3	4	8	16	20	32	42	65	85
Rated flow [l/s]	0.28	0.56	0.83	1.1	2.2	4.4	5.6	8.9	11.7	18	24
Flow range [m <sup>3</sup> /h]	0.4-2	1-3.5	1.2-4	1.5-8	5-12	8-22	10-28	16-40	25-55	30-80	50-110
Flow range [l/s]	0.11-0.56	0.28-0.97	0.33-1.1	0.42-2.2	1.4-3.3	2.2-6.1	2.8-7.8	4.4-11.1	6.9-15.3	8.3-22.2	13.8-30.5
Max.pressure [bar]	21	23	22	21	21	22	23	26	30	22	17
Motor power [kW]	0.37-2.2	0.37-3	0.37-3	0.37-4	0.75-7.5	2.2-15	1.1-18.5	1.5-30	3.0-45	4.0-45	5.5-45
Temperature range [°C]	-15~+120										
Max. efficiency [%]	44	46	54	59	64	66	69	76	78	80	81
Type											
GVR	●	●	●	●	●	●	●	●	●	●	●

### GVR Pipe connection

DIN Flange	DN25	DN25	DN25	DN32	DN40	DN50	DN50	DN65	DN80	DN100	DN100
Oval Flange	G1	G1	G1	G1 <sup>1/4</sup>	G1 <sup>1/2</sup>						

### 3500RPM

Description	1	2	3	4	8	16	20	32	42	65	85
Rated flow [m <sup>3</sup> /h]	1	2	3	4	8	16	20	32	42	65	85
Rated flow [l/s]	0.28	0.56	0.83	1.1	2.2	4.4	5.6	8.9	11.7	18	24
Flow range [m <sup>3</sup> /h]	0.6-2	1-4.5	1.5-5	2.5-9	7-14	10-26	12-34	20-48	30-65	40-100	60-130
Flow range [l/s]	0.17-0.56	0.28-1.25	0.42-1.4	0.7-2.5	1.9-3.9	2.8-7.2	3.3-9.4	5.5-13.3	8.3-18	11.1-27.7	16.7-36.1
Max.pressure [bar]	24	23.5	23	21	20	20	20	25	26	18	15
Motor power [kW]	0.37-3	0.55-4	0.37-4	0.75-5.5	0.75-11	2.2-18.5	2.2-18.5	3-30	5.5-45	7.5-45	11-45
Temperature range [°C]	-15~+120										
Max. efficiency [%]	44	46	54	59	64	66	69	76	78	80	81
Type											
GVS	●	●	●	●	●	●	●	●	●	●	●

### GVS Pipe connection

DIN Flange	DN25	DN25	DN25	DN32	DN40	DN50	DN50	DN65	DN80	DN100	DN100
Oval Flange	G1	G1	G1	G1 <sup>1/4</sup>	G1 <sup>1/2</sup>						

## ● Pump

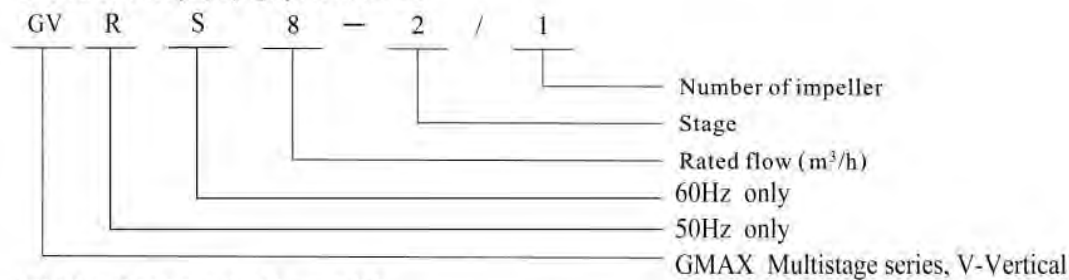
GVR/GVS is a kind of vertical non-self priming multistage centrifugal pump, which is driven by a standard electric motor. The motor output shaft directly connects with the pump shaft through a coupling. The pressure-resistant cylinder and flow passage components are fixed between pump head and inlet & outlet section with tie-bar bolts. The inlet and outlet are located at the pump bottom at the same plane. This kind of pump can be equipped with an intelligent protector to effectively prevent it from dry-running, out-of-phase and overload.

## ● Motor

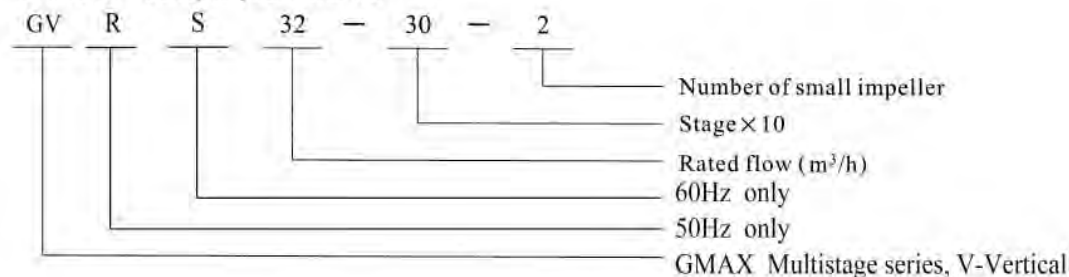
- Full-enclosed air-blast two-pole standard motor
- Protection class: IP55
- Insulation class: F
- Standard voltage:50Hz: 1 × 220-230 / 240V  
3 × 200-220 / 346-380V  
3 × 220-240 / 380-415V  
3 × 380-415V
- Standard voltage:60Hz: 3 × 200-230 / 346-400V  
3 × 200-255 / 380-440V  
3 × 200-277 / 380-480V

## ● Definition of Model

GVR/GVS1,2,3,4,8,16 and 20



GVR/GVS32,42,65 and 85



## ● Application

GVR/GVS is a kind of multifunctional products. It can be used to convey various medium from tap water to industrial liquid at different temperature and with different flow rate and pressure.

- Water supply: Water filter and transport in Waterworks, boosting of main pipeline, boosting in high-rise buildings.
- Industrial boosting: Process flow water system, cleaning system, high-pressure washing system, fire fighting system.
- Industrial liquid conveying: Cooling and air-conditioning system, boiler water supply and condensing system, machine-associated purpose, acids and alkali.
- Water treatment: Ultrafiltration system, reverse osmosis system, distillation system, separator, swimming pool.
- Irrigation: Farmland irrigation, spray irrigation, dripping irrigation.

## ● Operation conditions

- Thin, clean, non-flammable and non-explosive liquid containing no solid granules and fibers.
- Liquid temperature:  
Normal temperature type: -15°C ~ +70°C,  
Hot water type: +70°C ~ +120°C
- Ambient temperature: up to +40°C
- Altitude: up to 1000m

## ● Max inlet pressure

The maximum inlet pressure is shown in the table below. But the actual inlet pressure plus the valve close pressure of the pump shall be lower than the max. allowable working pressure.

Model	Max inlet pressure
<b>2900RPM</b>	
GVR1	
1-2~1-8	6[bar]
1-9~1-36	10[bar]
GVR2	
2-2	6[bar]
2-3~2-11	10[bar]
2-13~2-26	15[bar]
GVR3	
3-2~3-5	6[bar]
3-6~3-29	10[bar]
3-31~3-36	15[bar]
GVR4	
4-2	6[bar]
4-3~4-10	10[bar]
4-12~4-22	15[bar]
GVR8	
8-2/1~8-6	6[bar]
8-8~8-20	10[bar]
GVR16	
16-2~16-3	6[bar]
16-4~16-16	10[bar]
GVR20	
20-1~20-3	6[bar]
20-4~20-17	10[bar]
GVR32	
32-10-1~32-20-2	3[bar]
32-20~32-40	4[bar]
32-50-2~32-100	10[bar]
32-110-2~32-140	15[bar]
GVR42	
42-10-1	3[bar]
42-10~42-20	4[bar]
42-30-2~42-50	10[bar]
42-60-2~42-130-2	15[bar]
GVR65	
65-10-1~65-20-2	4[bar]
65-20-1~65-30	10[bar]
65-40-2~65-80-1	15[bar]
GVR85	
85-10-1~85-10	4[bar]
85-20-2~85-30-2	10[bar]
85-30-1~85-60	15[bar]

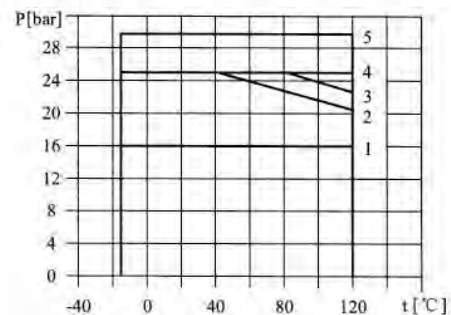
Model	Max inlet pressure
<b>3500RPM</b>	
GVS1	
1-2~1-6	6[bar]
1-7~1-25	10[bar]
GVS2	
2-2	6[bar]
2-3~2-7	10[bar]
2-9~2-18	15[bar]
GVS3	
3-2~3-5	6[bar]
3-6~3-19	10[bar]
3-20~3-25	15[bar]
GVS4	
4-2	6[bar]
4-3~4-8	10[bar]
4-10~4-16	15[bar]
GVS8	
8-2/1~8-5	6[bar]
8-6~8-14	10[bar]
GVS16	
16-2/1~16-2	6[bar]
16-3~16-10	10[bar]
GVS20	
20-1~20-2	6[bar]
20-3~20-10	10[bar]
GVS32	
32-10-1~32-30-2	4[bar]
32-30~32-70	10[bar]
32-80-2~32-100-2	15[bar]
GVS42	
42-10-1~42-20-2	4[bar]
42-20~42-40-2	10[bar]
42-40~42-70	15[bar]
GVS65	
65-10-1~65-20-2	4[bar]
65-20~65-30-2	10[bar]
65-30~65-50-2	15[bar]
GVS85	
85-10-1~85-10	4[bar]
85-20-2~85-20	10[bar]
85-30-2~85-40-2	15[bar]

## ● Max working pressure

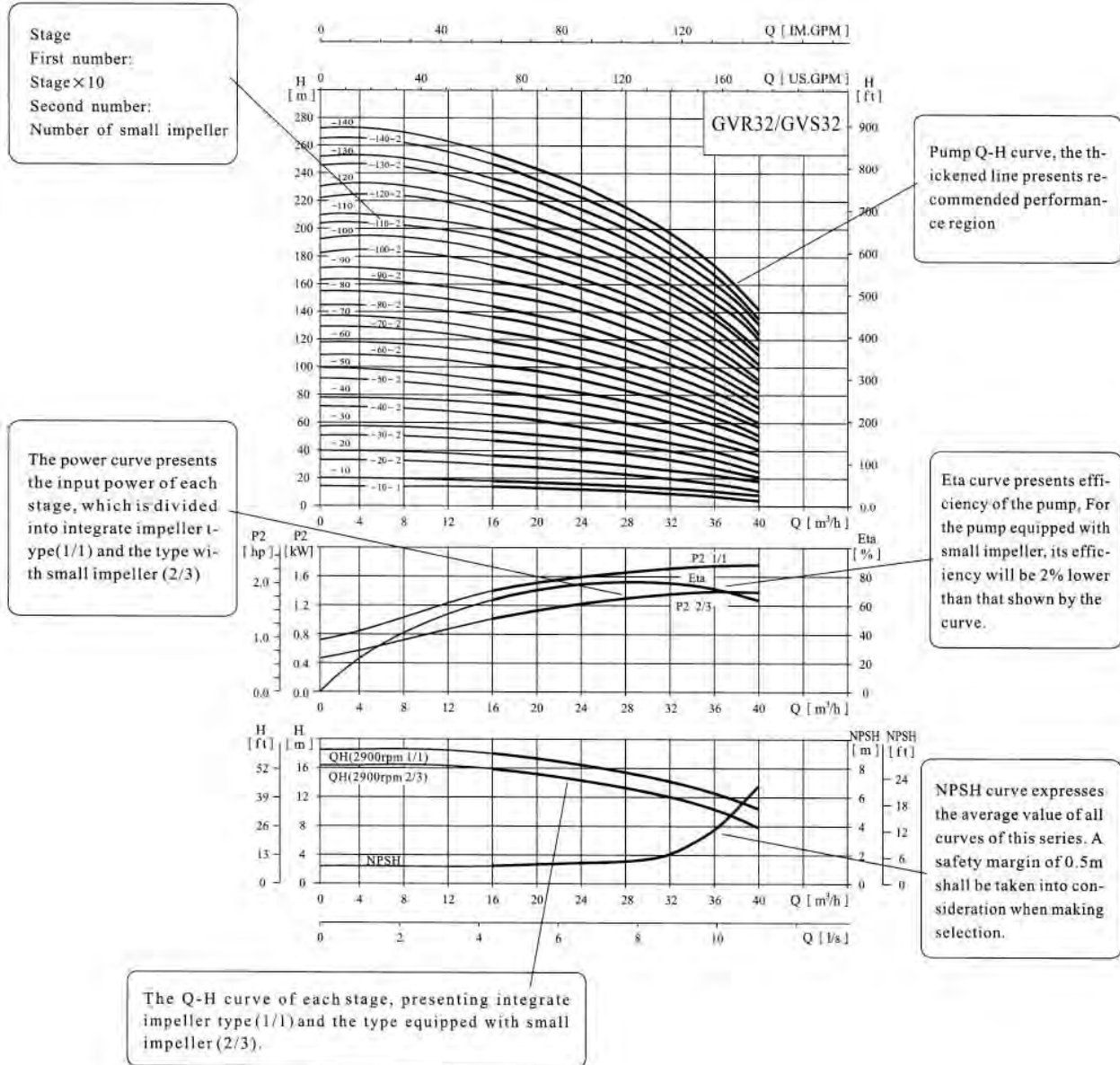
Model	Curve number
2900RPM	
GVR1	
1-2~1-23	1
1-25~1-36	2
GVR2	
2-2-15	1
2-18~2-26	2
GVR3	
3-2~3-23	1
3-25~3-36	2
GVR4	
4-2~4-16	1
4-19~4-22	2
GVR8	
8-2/1~8-12	1
8-14~8-20	3
GVR16	
16-2~16-8	1
16-10~16-16	3
GVR20	
20-1~20-8	1
20-10~20-17	3
GVR32	
32-10-1~32-70	1
32-80-2~32-120	4
32-130~32-140	5
GVR42	
42-10-1~42-60	1
42-70-2~42-90	4
42-100-2~42-130-2	5
GVR65	
65-10-1~65-50	1
65-60-2~65-80-1	4
GVR85	
85-10-1~85-50-2	1
85-50~85-60	4

Model	Curve number
3500RPM	
GVS1	
1-2~1-17	1
1-19~1-25	2
GVS2	
2-2~2-11	1
2-13~2-18	2
GVS3	
3-2~3-15	1
3-17~3-25	2
GVS4	
4-2~4-10	1
4-12~4-16	2
GVS8	
8-2/1~8-8	1
8-10~8-14	3
GVS16	
16-2~16-6	1
16-7~16-10	3
GVS20	
20-1~20-4	1
20-5~20-10	3
GVS32	
32-10-1~32-50-2	1
32-50~32-90-2	4
32-90~32-100-2	5
GVS42	
42-10-1~42-30	1
42-40-2~42-60	4
42-70-2~42-70	5
GVS65	
65-10-1~65-30	1
65-40-2~65-50-2	4
GVS85	
85-10-1~85-30	1
85-40-2	4

The following figure shows the limitation of pressure and temperature, which shall be kept within the region as shown in the figure.



## ● Curve illustration



## ● Performance curve

Following conditions are suitable for the performance curves shown below:

- 1、 All curves are based on the measured values of 50Hz: constant motor speed 2900r/min, 60Hz: constant motor speed 3500 r/min;
- 2、 Curve tolerance in conformity with ISO9906 Annex A.

3、 Measurement is done with 20°C air-free water, kinematic viscosity of 1mm<sup>2</sup>/sec.

- 4、 The operation of pump shall refer to the performance region indicated by the thickened curve to prevent overheating due to too small flow rate or overload of motor due to too large flow rate.



### ● Minimum inlet pressure NPSH

In case that the pressure in pump is lower than the steam pressure used to convey liquid, the cavitations will occur. To avoid cavitations, a minimum pressure at the inlet side of the pump shall be guaranteed. The maximum suction stroke can be calculated with following formula:

$$H = P_b \times 10.2 - NPSH - H_f - H_v - H_s$$

$P_b$  = atmosphere pressure [bar]

(can be set as 1bar)

In a closed system,  $P_b$  means system pressure [bar]

NPSH = Net positive suction head [m]

(It can be read out from the point of possible max.

flow rate shown on NPSH curve)

$H_f$  = Pipeline loss at the inlet [m]

$H_v$  = Steam pressure [m]

$H_s$  = Safety margin = Minimum 0.5m delivery head

If the calculated result  $H$  is positive, the pump may run under the max. Suction stroke  $H$ .

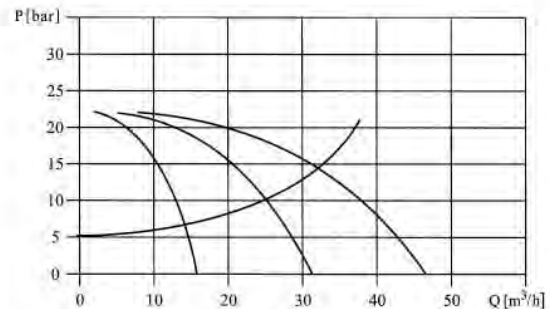
In case the calculated result  $H$  is negative, a delivery head of min. Inlet pressure is necessary.

### ● Operation in parallel

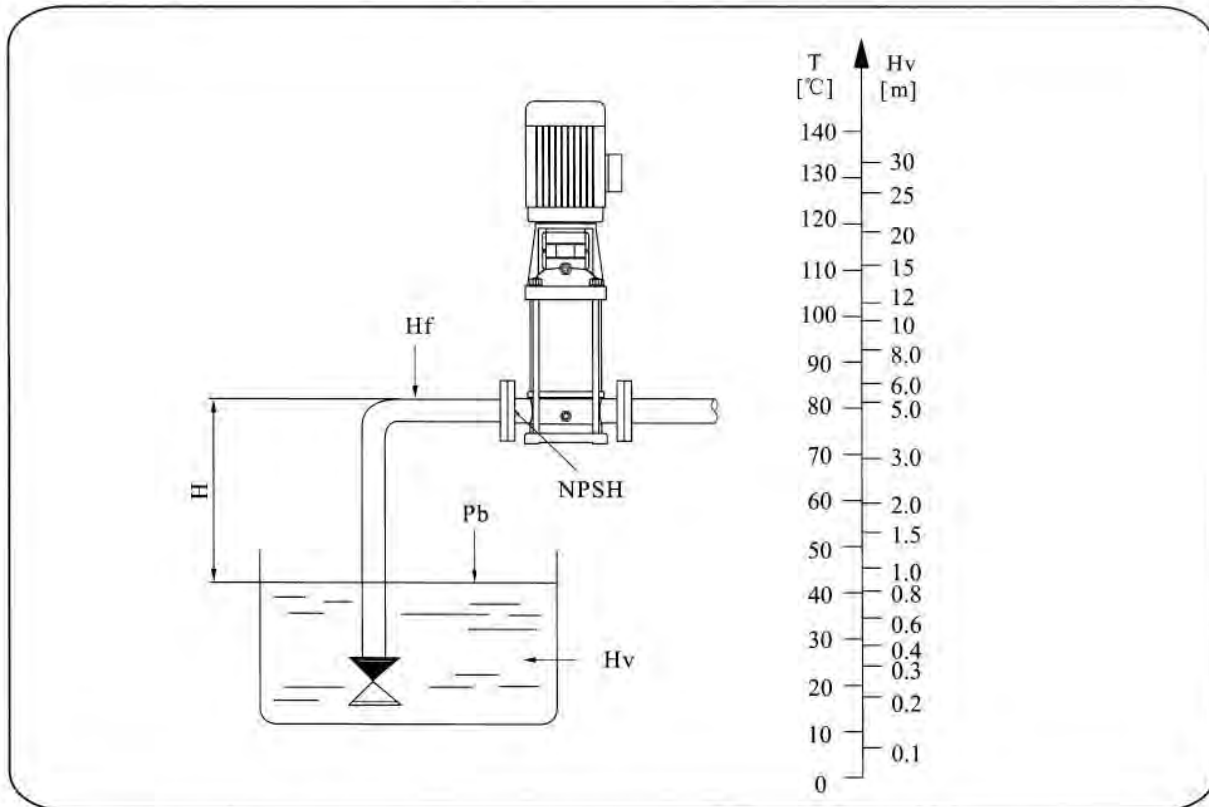
Connecting several pumps in parallel running will benefit much more than running a single large pump.

- Applicable to different working states necessary in a variable flow system.

- Increasing the possibility of water supply when the pump is in failure. Because in case of pump failure, only part of the system flow is effected.

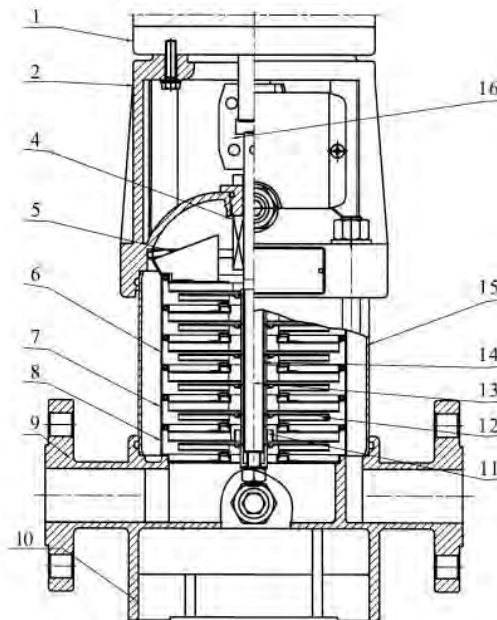


Two pumps or more can be connected in parallel running if necessary.



Check and ensure that the pump is not at cavitations state.

● **Section drawing GVR/GVS 1,2,3,4**

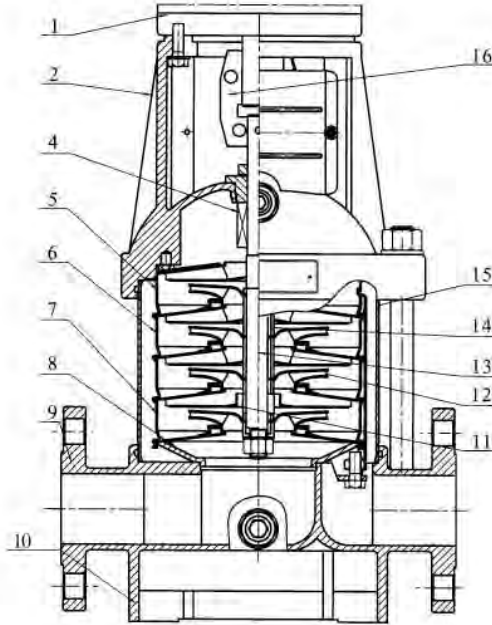


● **Material GVR/GVS 1,2,3,4**

NO	Name	Material	AISI/ASTM
1	Motor		
2	Pump head	Cast iron	ASTM25B
3	Seal base	Stainless steel	AISI304
4	Mechanical seal		
5	Top diffuser	Stainless steel	AISI304
6	Diffuser	Stainless steel	AISI304
7	Support diffuser	Stainless steel	AISI304
8	Inducer	Stainless steel	AISI304
9	Inlet and outlet chamber	Cast iron	ASTM25B
10	Base plate	Cast iron	ASTM25B

NO	Name	Material	AISI/ASTM
11	Bearing	Tungsten carbide	
12	Impeller	Stainless steel	AISI304
13	Shaft	Stainless steel	AISI304 AISI316
14	Impeller sleeve	Stainless steel	AISI304
15	Cylinder	Stainless steel	AISI304
16	Coupling	Carbon steel	

● Section drawing GVR/GVS 8,16,20

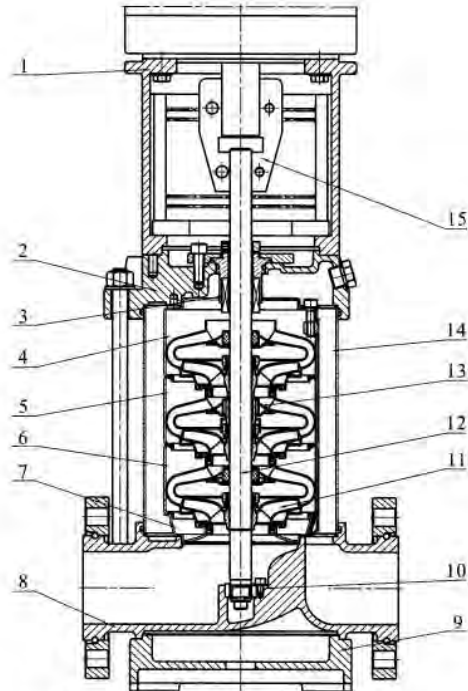


● Material GVR/GVS 8,16,20

NO	Name	Material	AISI/ASTM
1	Motor		
2	Pump head	Cast iron	ASTM25B
3	Seal base	Stainless steel	AISI304
4	Mechanical seal		
5	Top diffuser	Stainless steel	AISI304
6	Diffuser	Stainless steel	AISI304
7	Support diffuser	Stainless steel	AISI304
8	Inducer	Stainless steel	AISI304
9	Inlet and outlet chamber	Cast iron	ASTM25B
10	Base plate	Cast iron	ASTM25B

NO	Name	Material	AISI/ASTM
11	Bearing	Tungsten carbide	
12	Impeller	Stainless steel	AISI304
13	Shaft	Stainless steel	AISI304 AISI316
14	Impeller sleeve	Stainless steel	AISI304
15	Cylinder	Stainless steel	AISI304
16	Coupling	Carbon steel	

● Section drawing GVR/GVS 32,42,65,85



● Material GVR/GVS 32,42,65,85

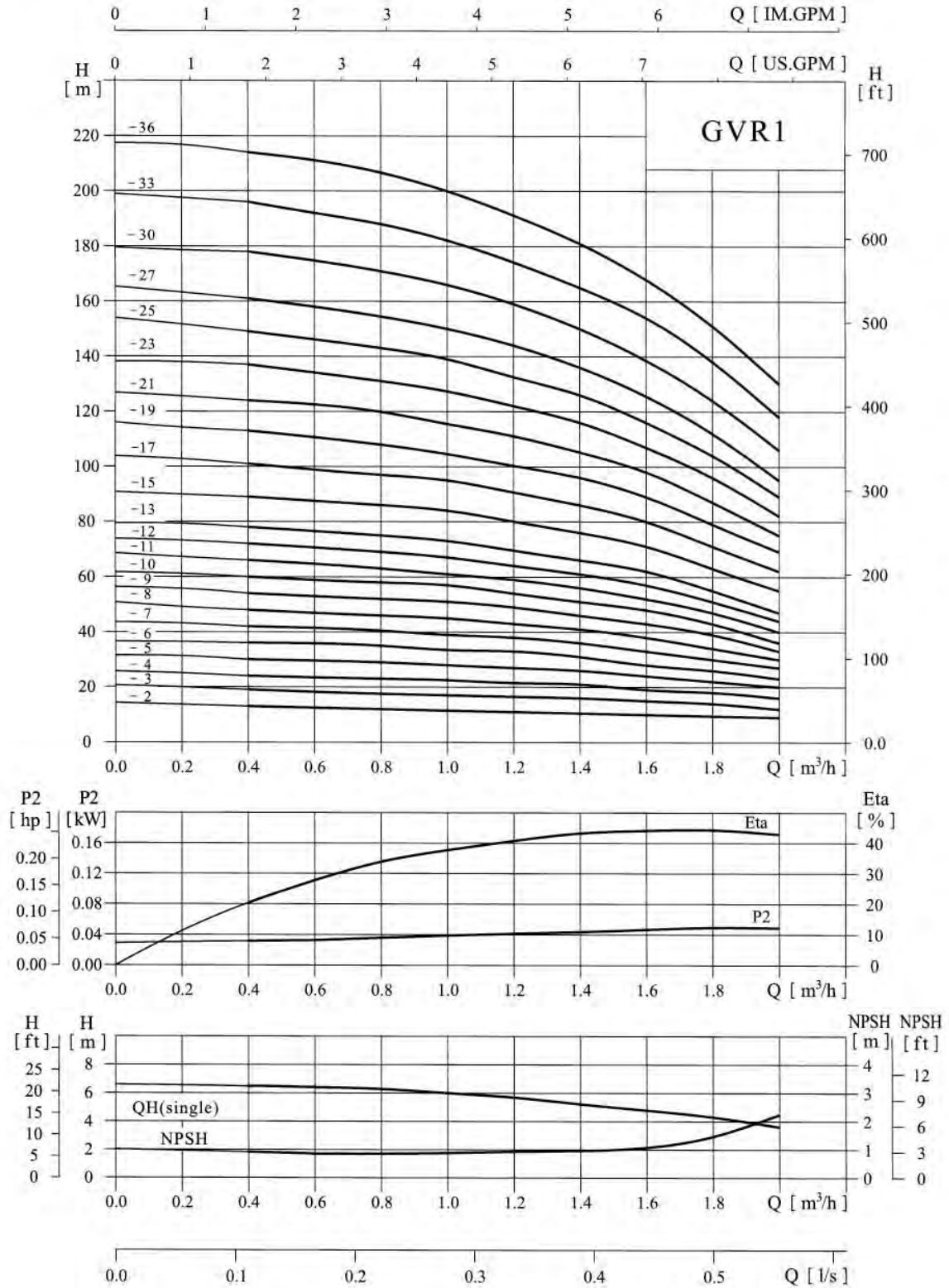
NO	Name	Material	AISI/ASTM
1	Bracket	Cast iron	ASTM25B
2	Pump head	Cast iron	ASTM25B
3	Mechanical seal		
4	Top diffuser	Stainless steel	AISI304
5	Support diffuser	Stainless steel	AISI304
6	Diffuser	Stainless steel	AISI304
7	Inducer	Stainless steel	AISI304
8	Inlet and outlet chamber	Cast iron	ASTM25B
9	Base plate	Cast iron	ASTM25B
10	Bottom bearing	Tungsten carbide	

NO	Name	Material	AISI/ASTM
11	Impeller	Stainless steel	AISI304
12	Shaft	Stainless steel	AISI316 AISI304
13	Intermediate bearing	Tungsten carbide	
14	Cylinder	Stainless steel	AISI304
15	Coupling	Carbon steel	
	Rubber parts	NBR	

# GVR1, 2900 RPM, 50 Hz

● Performance curve

ISO9906 Annex A

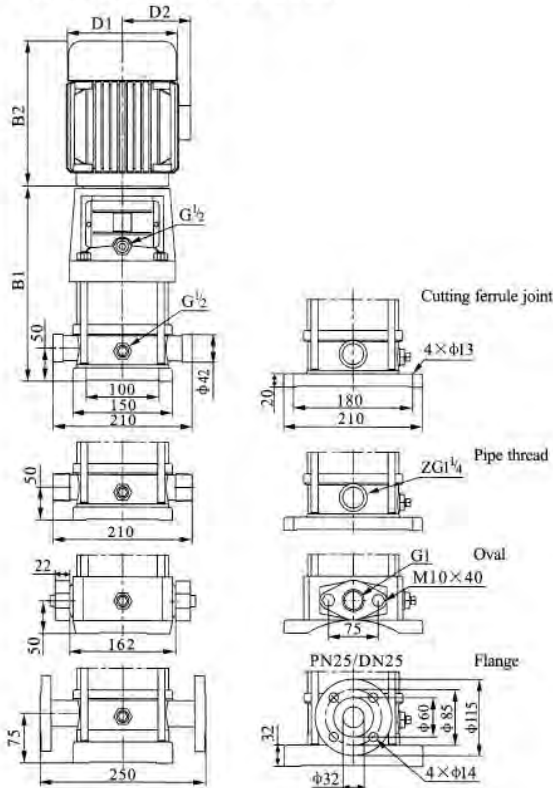


# 2900 RPM, 50 Hz

## ● Performance table

Model	Power (kW)	Q (m <sup>3</sup> /h)	0.4	0.6	0.8	1.0	1.2	1.4	1.6	1.8	2.0
GVR1-2	0.37	H (m)	13	12.5	12	11.5	11	10.5	10	9.5	9
GVR1-3	0.37		19	18	17.5	17	16.5	16	15	14	12
GVR1-4	0.37		24	23.5	23	22.5	21.5	21	19	18	16
GVR1-5	0.37		30	29.6	29	28	27	26	24	22	20
GVR1-6	0.37		36	35.5	35	33.5	33	31	28	26	23
GVR1-7	0.37		42	41	40.5	39	38	36	33	30	27
GVR1-8	0.55		48	47	46	45	43	41	38	34	30
GVR1-9	0.55		54	53	52	51	49	46	43	39	33
GVR1-10	0.55		60	59	58	57	54	51	48	43	36
GVR1-11	0.55		66	65	63	61	59	56	52	47	40
GVR1-12	0.75		72	71	69	67	64	61	57	51	44
GVR1-13	0.75		78	77	75	73	69	66	62	55	47
GVR1-15	0.75		89	88	86	84	79	76	71	63	55
GVR1-17	1.1		101	99	97	95	89	86	80	71	62
GVR1-19	1.1		113	110	108	106	99	96	89	79	69
GVR1-21	1.1		124	122	120	117	110	106	98	87	75
GVR1-23	1.1		137	133	131	128	121	116	107	96	82
GVR1-25	1.5		149	145	143	139	131	126	116	104	89
GVR1-27	1.5		161	157	155	150	141	136	125	112	95
GVR1-30	1.5		178	175	171	166	157	150	139	124	106
GVR1-33	2.2		196	192	188	183	173	165	154	137	118
GVR1-36	2.2		214	210	205	200	190	181	169	151	130

## ● Installation sketch



GVR1-25 ~ 1-36 sub-connection of pipeline without oval flange

The overall dimensions of the single-phase motor and explosion-proof motor are a little changed. Pls contact us for details.

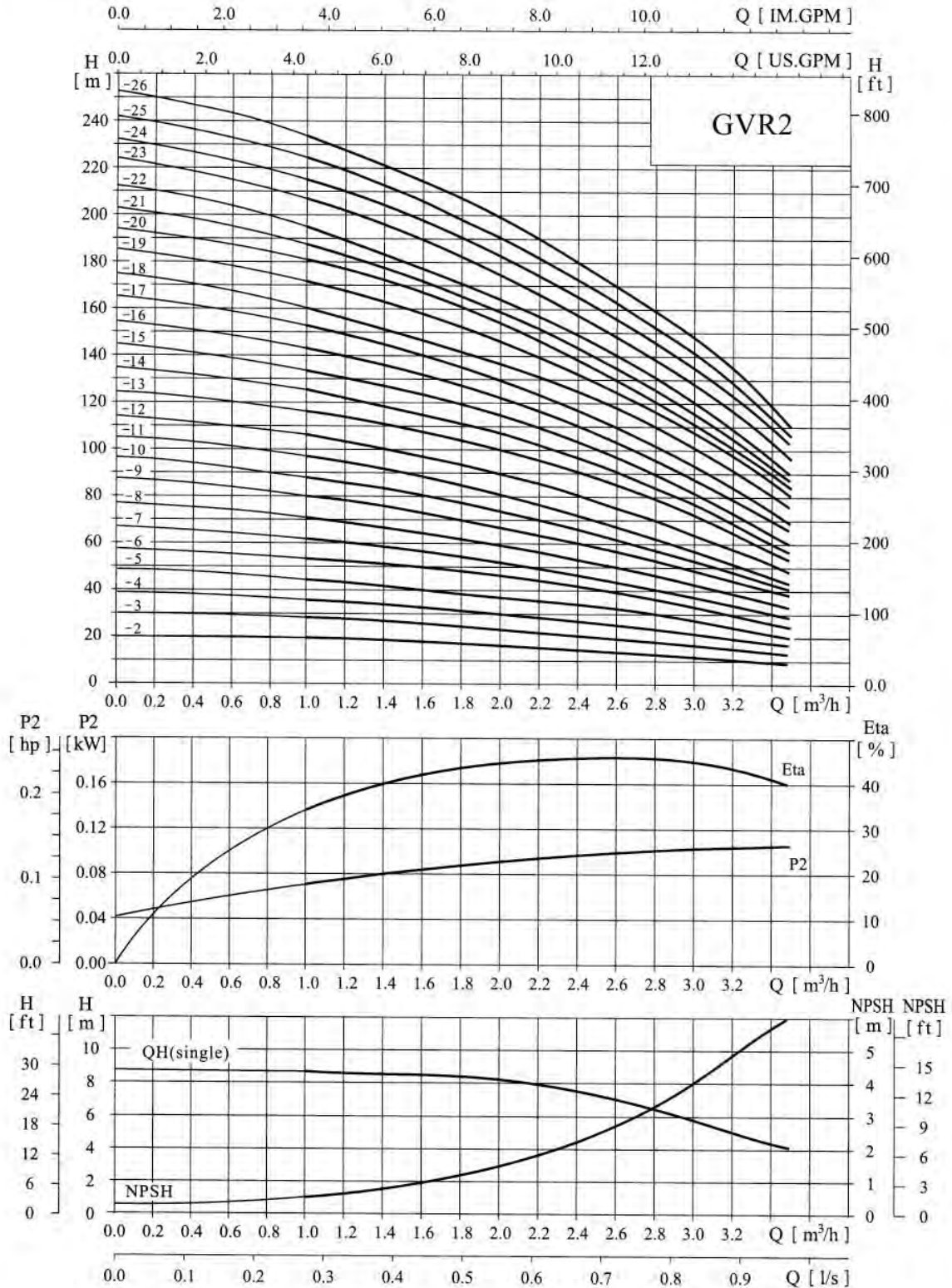
## ● Size and weight

Model	Size(mm)					Weight (kg)
	B1	B2	B1+B2	D1	D2	
GVR1-2	258	210	468	148	117	20
GVR1-3	276	210	486	148	117	20
GVR1-4	294	210	504	148	117	20
GVR1-5	312	210	522	148	117	20
GVR1-6	330	210	540	148	117	20
GVR1-7	348	210	558	148	117	20
GVR1-8	366	210	576	148	117	22
GVR1-9	384	210	594	148	117	22
GVR1-10	402	210	612	148	117	22
GVR1-11	420	210	630	148	117	22
GVR1-12	448	245	693	170	142	25
GVR1-13	466	245	711	170	142	25
GVR1-15	502	245	747	170	142	25
GVR1-17	538	245	783	170	142	28
GVR1-19	574	245	819	170	142	28
GVR1-21	610	245	855	170	142	30
GVR1-23	646	245	891	170	142	33
GVR1-25	692	290	982	190	155	40
GVR1-27	728	290	1018	190	155	40
GVR1-30	782	290	1072	190	155	40
GVR1-33	836	290	1126	190	155	45
GVR1-36	890	290	1180	190	155	45

# GVR2, 2900 RPM 50 Hz

## ● Performance curve

## ISO9906 Annex A

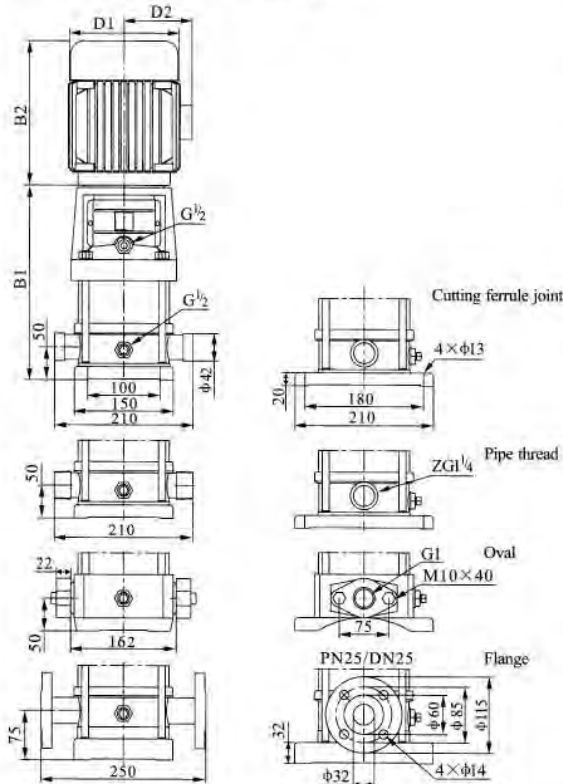


# 2900 RPM, 50 Hz

## ● Performance table

Model	Power (kw)	Q (m <sup>3</sup> /h)	1	1.2	1.6	2.0	2.4	2.8	3.2	3.5
GVR 2-2	0.37	H (m)	18	17	16	15	13	12	10	8
GVR 2-3	0.37		27	26	24	22	20	18	15	12
GVR 2-4	0.55		36	35	33	30	26	24	20	16
GVR 2-5	0.55		45	43	40	37	33	30	24	20
GVR 2-6	0.75		53	52	50	45	40	36	30	24
GVR 2-7	0.75		63	61	57	52	47	41	35	28
GVR 2-9	1.1		80	78	73	67	61	54	45	37
GVR 2-11	1.1		98	95	89	82	73	64	54	44
GVR 2-13	1.5		116	114	106	98	89	78	65	52
GVR 2-15	1.5		134	130	123	112	100	90	73	60
GVR 2-18	2.2		161	157	148	136	121	108	91	76
GVR 2-22	2.2		197	192	180	165	148	130	110	90
GVR 2-26	3.0		232	228	214	198	179	158	130	110

## ● Installation sketch



GVR2-18 ~ 2-26 sub-connection of pipeline without oval flange

The overall dimensions of the single-phase motor and explosion-proof motor are a little changed. Pls contact us for details.

## ● Size and weight

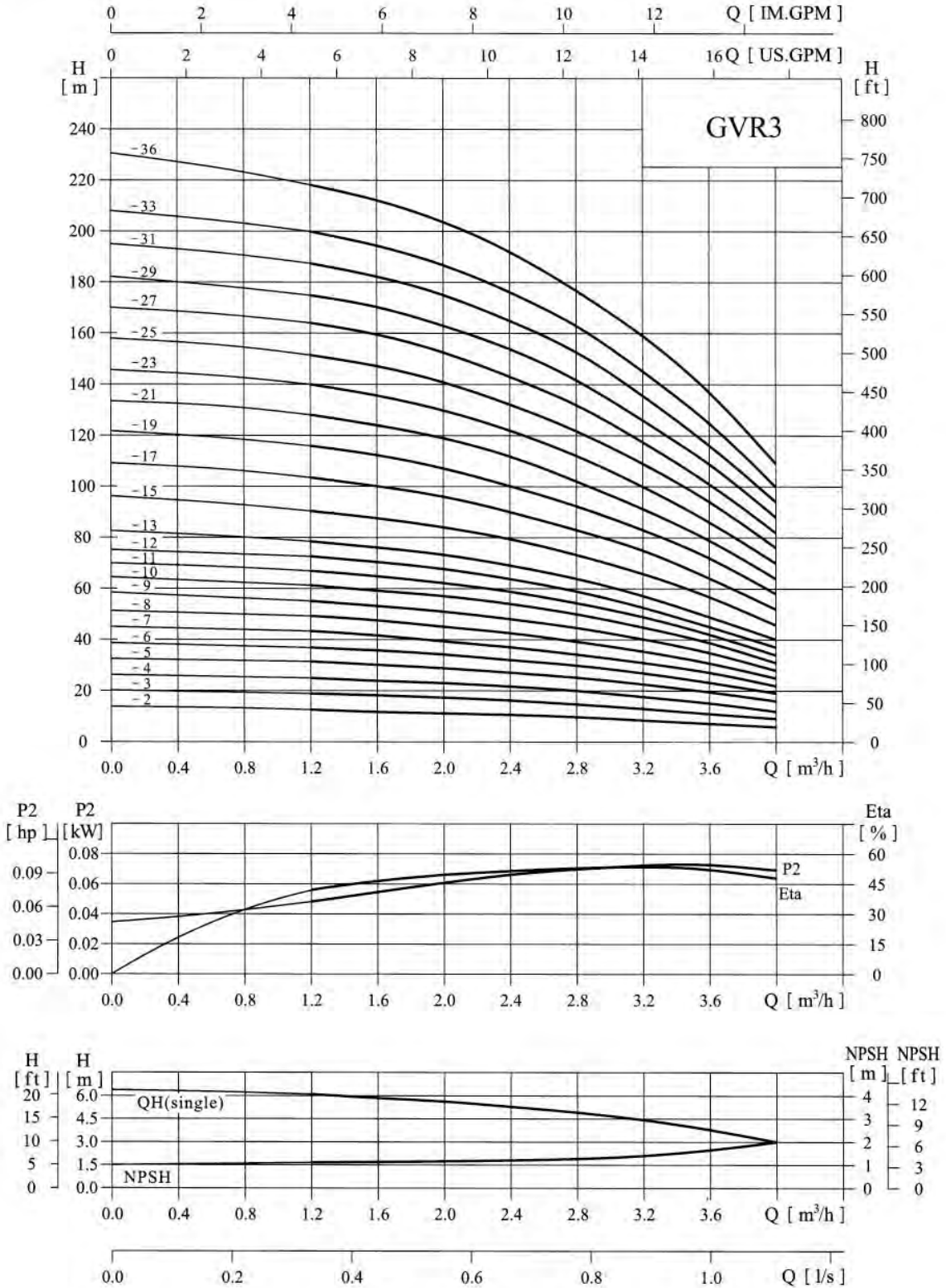
Model	Size (mm)					Weight (kg)
	B1	B2	B1+B2	D1	D2	
GVR 2-2	258	210	468	148	117	20
GVR 2-3	276	210	486	148	117	20
GVR 2-4	294	210	504	148	117	20
GVR 2-5	312	210	522	148	117	20
GVR 2-6	340	245	585	170	142	25
GVR 2-7	358	245	603	170	142	25
GVR 2-9	394	245	639	170	142	30
GVR 2-11	430	245	675	170	142	30
GVR 2-13	476	290	766	190	155	35
GVR 2-15	512	290	802	190	155	35
GVR 2-18	566	290	856	190	155	40
GVR 2-22	638	290	928	190	155	45
GVR 2-26	720	315	1035	197	165	50



# GVR3, 2900 RPM, 50 Hz

## ● Performance curve

## ISO9906 Annex A

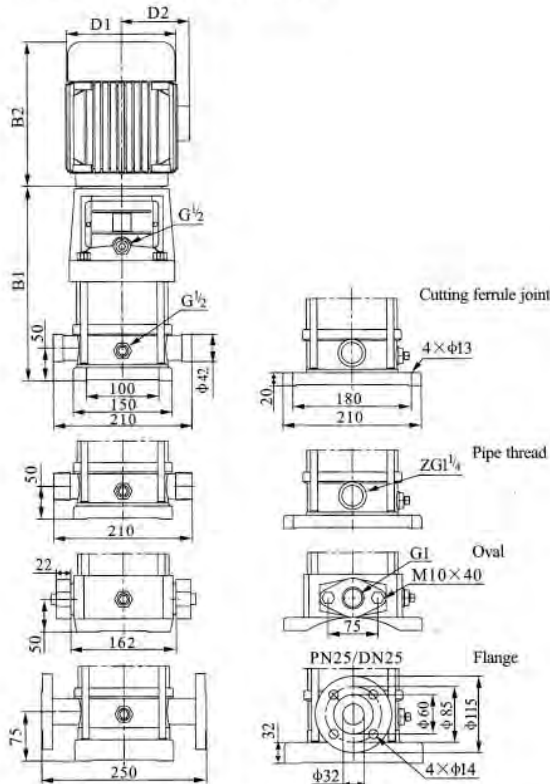


# 2900 RPM, 50 Hz

## ● Performance table

Model	Power (kw)	Q (m <sup>3</sup> /h)	1.2	1.6	2.0	2.4	2.8	3.0	3.2	3.6	4.0
GVR3-2	0.37	H (m)	12.5	11.5	11	10.5	10	9	8	7	6
GVR3-3	0.37		19	18.5	17.5	16.5	15	14	13	11	9
GVR3-4	0.37		25	24	23	21.5	20	19	18	15	12
GVR3-5	0.37		31	30	29	27	25	23	22	19	16
GVR3-6	0.55		36	35	34	32	30	28	27	23	19
GVR3-7	0.55		43	41	39	37	34	32	31	27	22
GVR3-8	0.75		49	47	45	43	39	37	35	31	25
GVR3-9	0.75		55	53	51	48	45	42	40	35	28
GVR3-10	0.75		61	59	57	54	50	47	45	39	31
GVR3-11	1.1		67	64	61	58	54	51	49	42	34
GVR3-12	1.1		73	70	67	63	58	55	52	45	37
GVR3-13	1.1		78	76	73	69	64	60	57	49	40
GVR3-15	1.1		90	88	84	79	73	69	66	57	46
GVR3-17	1.5		103	100	96	90	83	79	75	64	52
GVR3-19	1.5		115	112	107	100	92	88	83	72	58
GVR3-21	2.2		128	124	119	112	102	98	91	79	64
GVR3-23	2.2		140	135	130	122	112	107	100	86	70
GVR3-25	2.2		151	147	141	131	122	116	109	94	76
GVR3-27	2.2		164	159	152	143	132	124	117	101	82
GVR3-29	2.2		175	170	163	153	142	133	126	109	88
GVR3-31	3.0		187	182	175	165	153	142	135	116	94
GVR3-33	3.0		199	194	187	176	163	151	145	125	100
GVR3-36	3.0		218	212	204	192	178	168	159	137	109

## ● Installation sketch



## ● Size and weight

Model	Size (mm)					Weight (kg)
	B1	B2	B1+B2	D1	D2	
GVR 3-2	258	210	468	148	117	20
GVR 3-3	276	210	486	148	117	20
GVR 3-4	294	210	504	148	117	20
GVR 3-5	312	210	522	148	117	20
GVR 3-6	330	210	540	148	117	22
GVR 3-7	348	210	558	148	117	22
GVR 3-8	376	245	621	170	142	22
GVR 3-9	394	245	639	170	142	22
GVR 3-10	412	245	657	170	142	22
GVR 3-11	430	245	675	170	142	25
GVR 3-12	448	245	693	170	142	25
GVR 3-13	466	245	711	170	142	25
GVR 3-15	502	245	747	170	142	25
GVR 3-17	548	290	838	190	155	30
GVR 3-19	584	290	874	190	155	35
GVR 3-21	620	290	910	190	155	35
GVR 3-23	656	290	946	190	155	40
GVR 3-25	692	290	982	190	155	40
GVR 3-27	728	290	1018	190	155	40
GVR 3-29	764	290	1054	190	155	40
GVR 3-31	810	315	1125	197	165	45
GVR 3-33	846	315	1161	197	165	50
GVR 3-36	900	315	1215	197	165	50

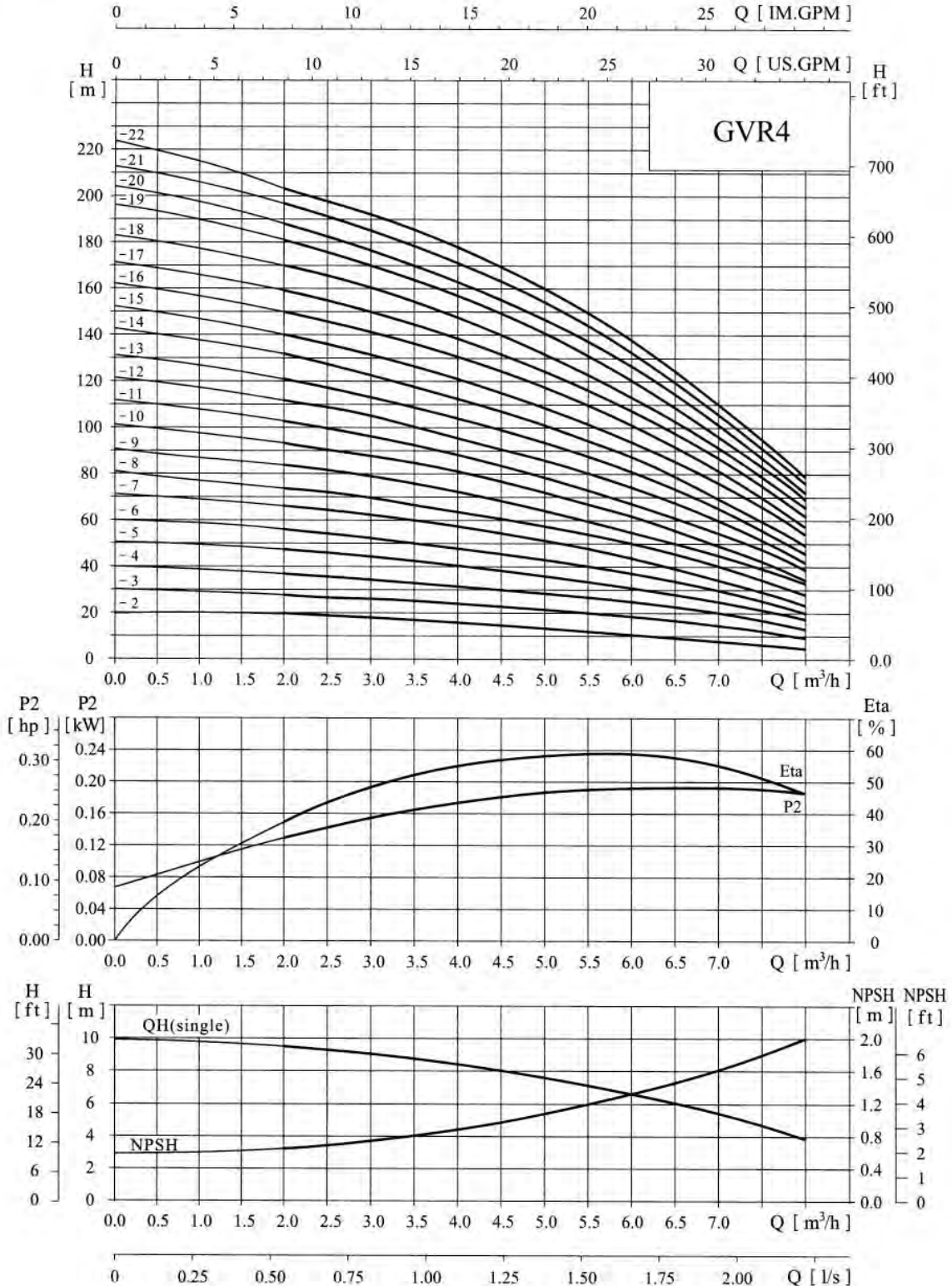
GVR3-25 ~ 3-36 sub-connection of pipeline without oval flange

The overall dimensions of the single-phase motor and explosion-proof motor are a little changed. Pls contact us for details.

# GVR4, 2900 RPM, 50 Hz

## ● Performance curve

## ISO9906 Annex A

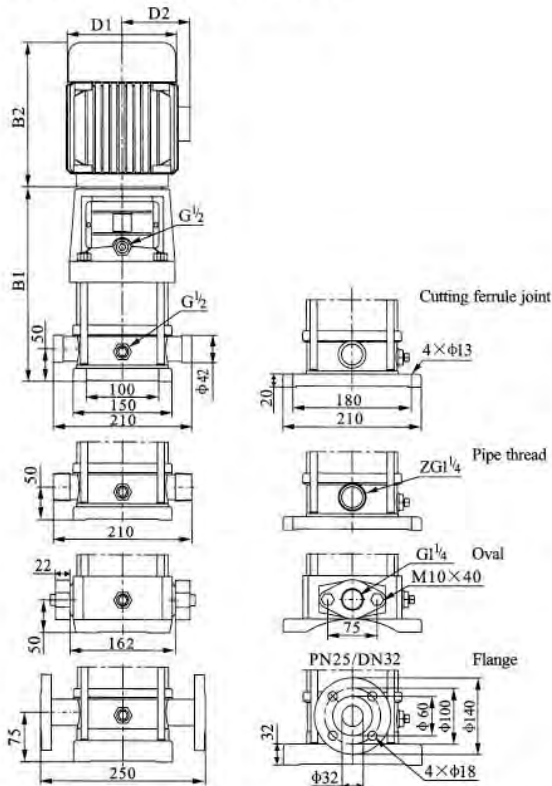


# 2900 RPM, 50 Hz

## ● Performance table

Model	Power (kw)	Q (m <sup>3</sup> /h)	1.5	2.0	3.0	4.0	5.0	6.0	7.0	8.0
GVR4-2	0.37	H (m)	19	18	17	15	13	10	8	6
GVR4-3	0.55		28	27	26	24	20	18	13	10
GVR4-4	0.75		38	36	34	32	27	24	19	13
GVR4-5	1.1		47	45	43	40	34	31	23	17
GVR4-6	1.1		56	54	52	48	41	37	28	20
GVR4-7	1.5		66	63	61	56	48	43	33	24
GVR4-8	1.5		74	72	70	64	55	50	38	27
GVR4-10	2.2		96	90	87	81	71	62	48	34
GVR4-12	2.2		114	108	104	95	85	75	58	41
GVR4-14	3.0		136	126	122	112	101	89	68	48
GVR4-16	3.0		152	144	140	129	115	101	78	55
GVR4-19	4.0		183	171	168	153	137	122	93	67
GVR4-22	4.0		211	200	192	178	160	138	108	79

## ● Installation sketch



## ● Size and weight

Model	Size (mm)					Weight (kg)
	B1	B2	B1+B2	D1	D2	
GVR 4-2	276	210	486	148	117	20
GVR 4-3	303	210	513	148	117	20
GVR 4-4	340	245	585	170	142	20
GVR 4-5	367	245	612	170	142	25
GVR 4-6	394	245	639	170	142	25
GVR 4-7	431	290	721	190	155	30
GVR 4-8	458	290	748	190	155	30
GVR 4-10	512	290	802	190	155	30
GVR 4-12	566	290	856	190	155	35
GVR 4-14	630	315	945	197	165	35
GVR 4-16	684	315	999	197	165	40
GVR 4-19	765	335	1100	230	188	45
GVR 4-22	846	335	1181	230	188	50

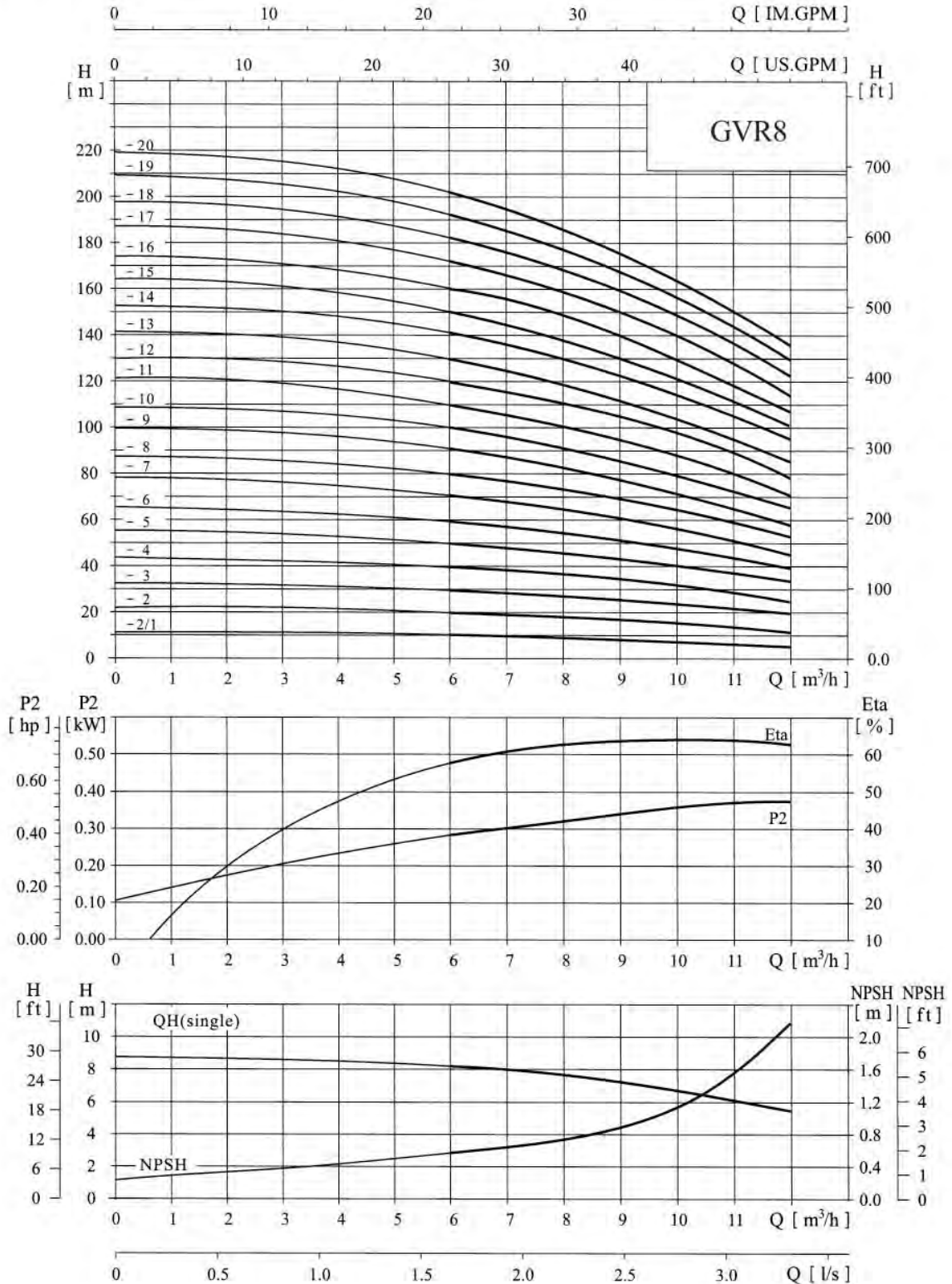
GVR4-19 ~ 4-22 sub-connection of pipeline without oval flange

The overall dimensions of the single-phase motor and explosion-proof motor are a little changed. Pls contact us for details.

# GVR8, 2900 RPM, 50 Hz

## ● Performance curve

## ISO9906 Annex A

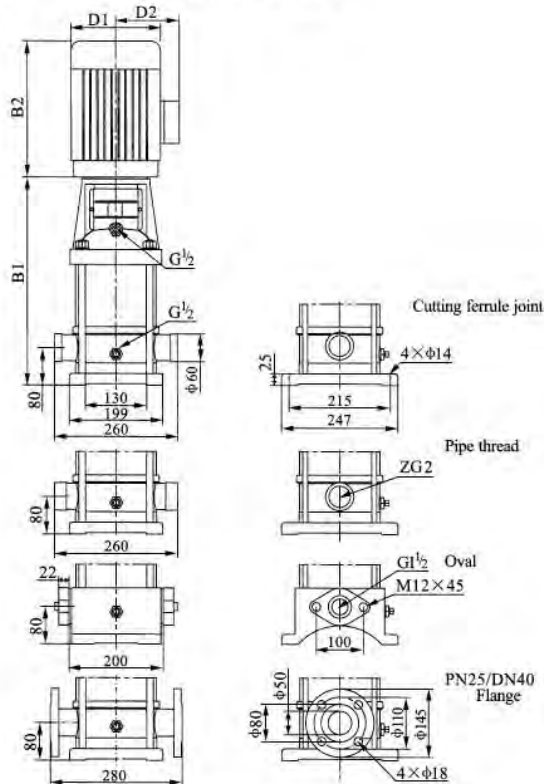


# 2900 RPM, 50 Hz

## ● Performance table

Model	Power (kw)	Q (m <sup>3</sup> /h)	5	6	7	8	9	10	11	12
GVR 8-2/1	0.75	H (m)	10	9.5	9.3	9	8.5	8	7	6
GVR 8-2	0.75		20	19.5	19	18	17	16	14	13
GVR 8-3	1.1		30	29.5	28.5	27	25	24	21	19
GVR 8-4	1.5		41	39.5	38	36	34	32	28	26
GVR 8-5	2.2		52	50	48	45	42	40	36	32
GVR 8-6	2.2		62	60	57	54	51	48	43	39
GVR 8-8	3.0		83	80	77	73	69	65	58	52
GVR 8-10	4.0		104	100	97	92	87	81	73	65
GVR 8-12	4.0		124	120	116	111	104	92	87	78
GVR 8-14	5.5		145	141	136	130	122	113	102	92
GVR 8-16	5.5		166	161	156	148	139	130	118	106
GVR 8-18	7.5		187	182	175	167	157	146	134	120
GVR 8-20	7.5		208	202	195	186	175	163	150	135

## ● Installation sketch



## ● Size and weight

Model	Size (mm)					Weight (kg)
	B1	B2	B1+B2	D1	D2	
GVR 8-2/1	347	245	592	170	142	22
GVR 8-2	347	245	592	170	142	22
GVR 8-3	377	245	622	170	142	32
GVR 8-4	417	290	707	190	155	32
GVR 8-5	447	290	737	190	155	42
GVR 8-6	477	290	767	190	155	42
GVR 8-8	547	315	862	197	165	47
GVR 8-10	607	335	942	230	188	57
GVR 8-12	667	335	1002	230	188	57
GVR 8-14	747	430	1177	260	208	82
GVR 8-16	807	430	1237	260	208	82
GVR 8-18	867	430	1297	260	208	92
GVR 8-20	927	430	1357	260	208	92

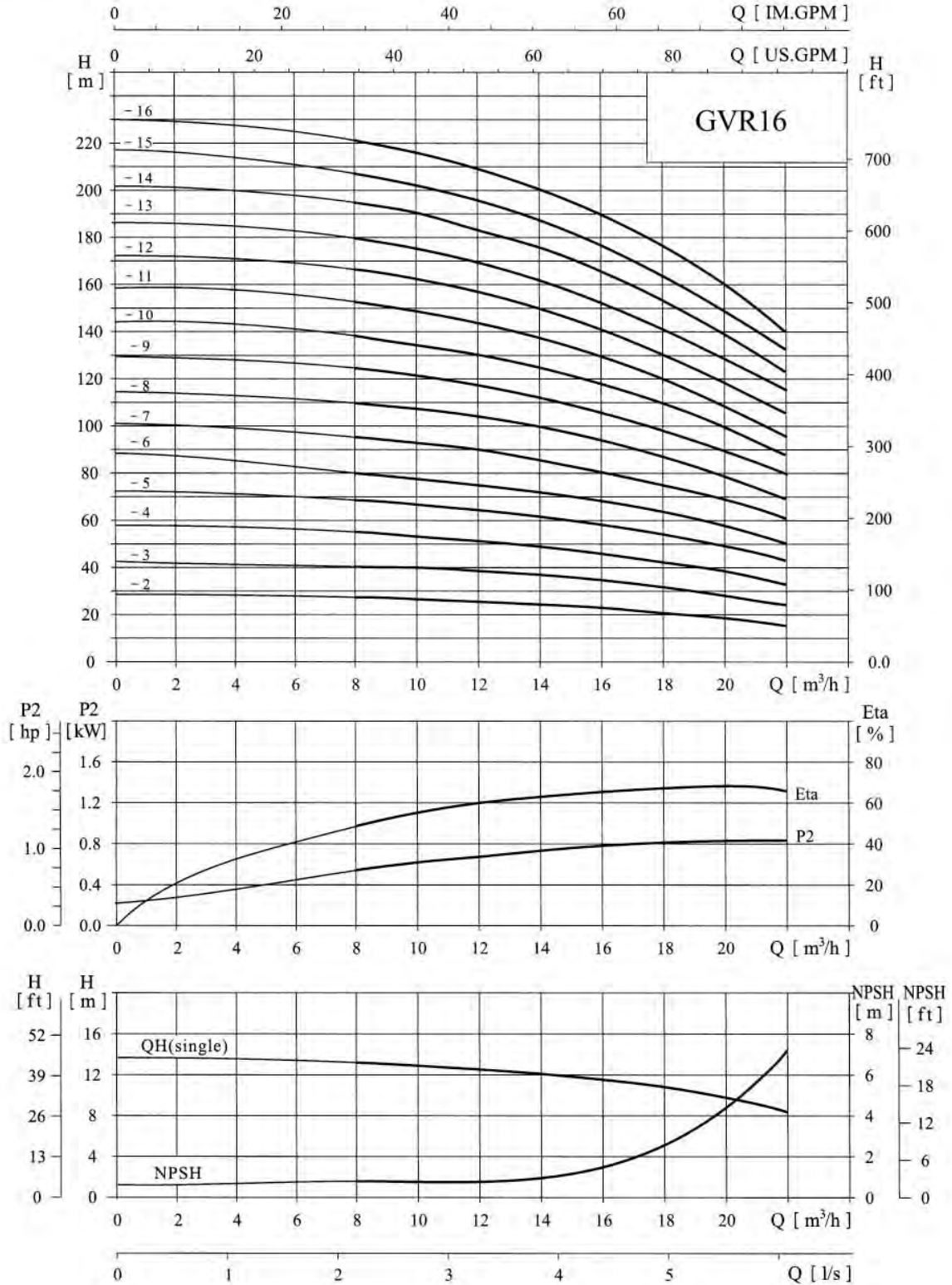
GVR8-14 ~ 8-20 sub-connection of pipeline without oval flange

The overall dimensions of the single-phase motor and explosion-proof motor are a little changed. Pls contact us for details.

# GVR16, 2900 RPM 50 Hz

## ● Performance curve

ISO9906 Annex A

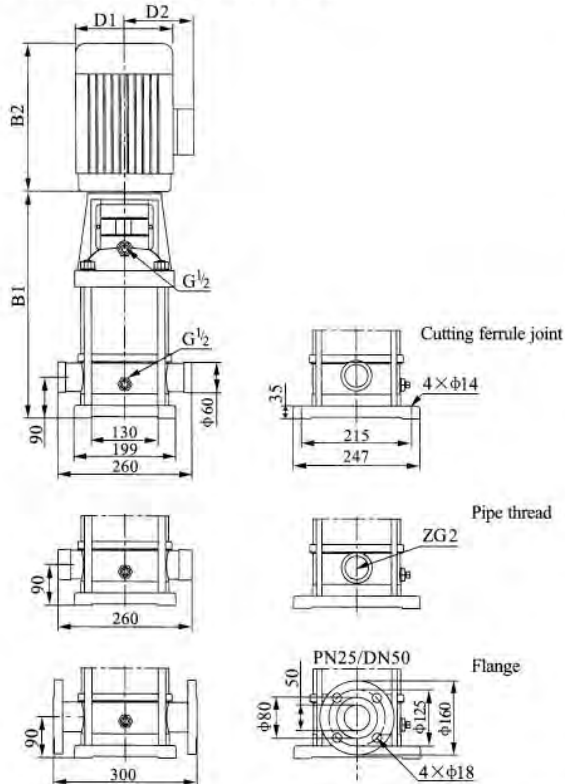


# 2900 RPM, 50 Hz

## ● Performance table

Model	Power (kw)	Q (m <sup>3</sup> /h)	8	10	12	14	16	18	20	22
GVR16-2	2.2	H (m)	27	26	25	24	22	21	19	16
GVR16-3	3.0		41	40	38	37	34	32	26	25
GVR16-4	4.0		54	53	52	49	46	43	38	34
GVR16-5	5.5		68	67	65	62	58	54	48	43
GVR16-6	5.5		82	80	78	74	70	64	58	52
GVR16-7	7.5		96	95	91	87	82	76	68	61
GVR16-8	7.5		110	108	104	99	94	86	77	70
GVR16-10	11		138	136	131	125	118	109	97	87
GVR16-12	11		166	162	157	150	141	130	116	105
GVR16-14	15		194	190	184	175	166	152	136	122
GVR16-16	15		222	217	210	200	189	174	156	140

## ● Installation sketch



## ● Size and weight

Model	Size (mm)					Weight (kg)
	B1	B2	B1+B2	D1	D2	
GVR16-2	397	290	687	190	155	42
GVR16-3	452	315	767	197	165	52
GVR16-4	497	335	832	230	188	57
GVR16-5	562	430	992	260	208	72
GVR16-6	607	430	1037	260	208	77
GVR16-7	652	430	1082	260	208	82
GVR16-8	697	430	1127	260	208	82
GVR16-10	875	490	1365	330	255	142
GVR16-12	965	490	1455	330	255	147
GVR16-14	1055	490	1545	330	255	162
GVR16-16	1145	490	1635	330	255	167

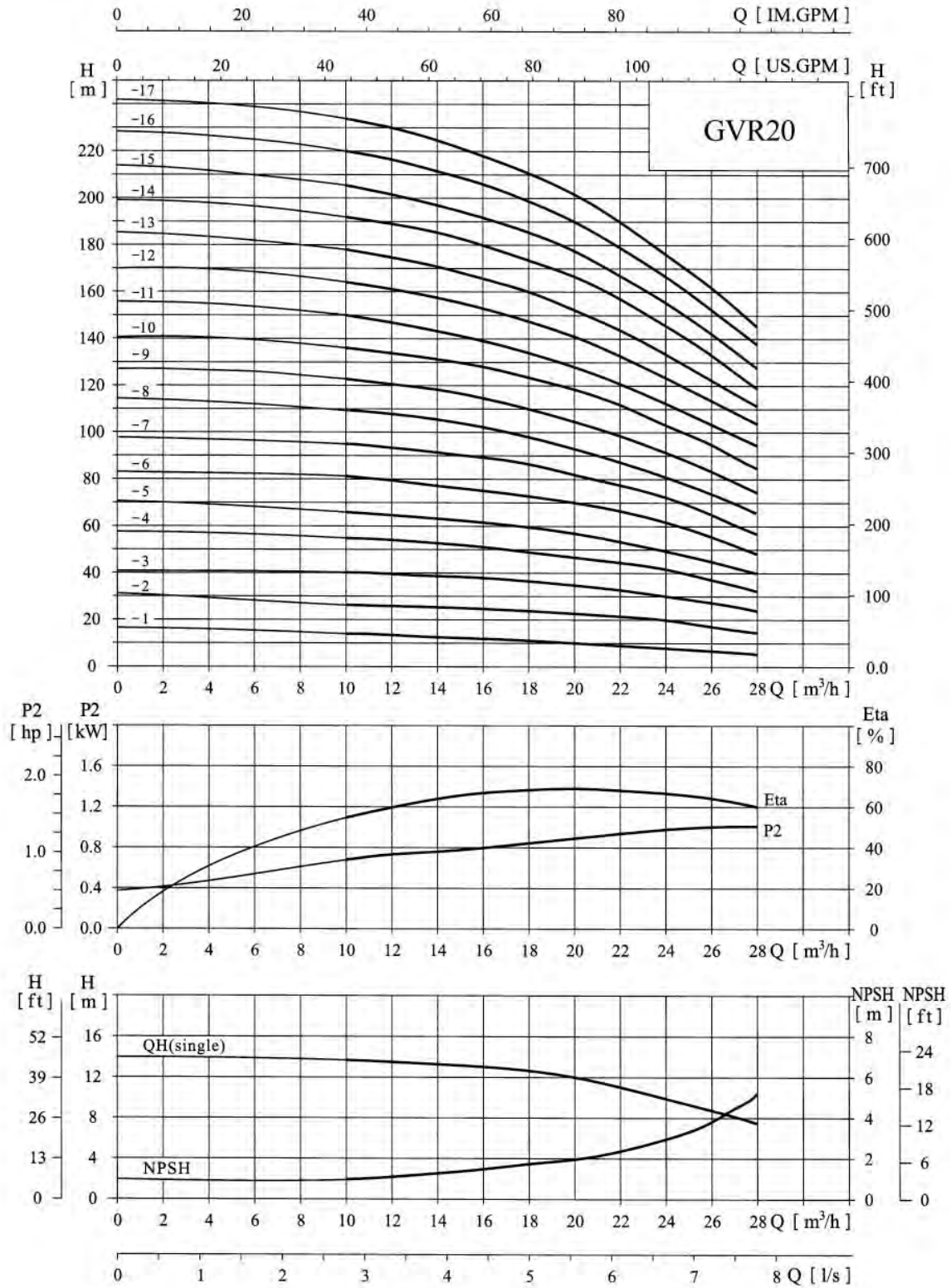
The overall dimensions of the single-phase motor and explosion-proof motor are a little changed. Pls contact us for details.



# GVR20, 2900 RPM, 50 Hz

● Performance curve

ISO9906 Annex A

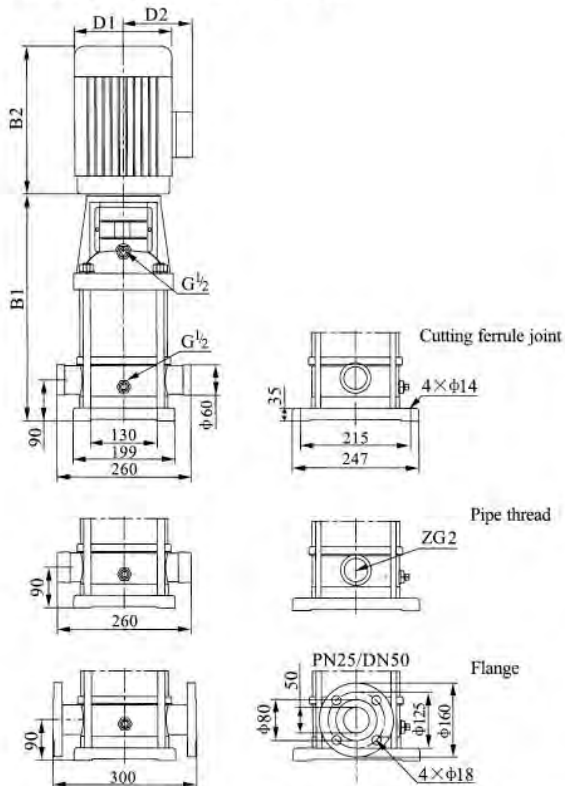


# 2900 RPM, 50 Hz

## ● Performance table

Model	Power (kw)	Q (m <sup>3</sup> /h)	10	12	14	16	18	20	22	24	26	28
GVR20-1	1.1	H (m)	13.5	13	12.5	12	11	10	9	8	7	6
GVR20-2	2.2		27	26.5	26	25	24	23	22	20	18	15
GVR20-3	4.0		40	39.5	39	38	37	35	33	30	27	24
GVR20-4	5.5		54	53	52	51	49	47	44	41	37	33
GVR20-5	5.5		67	66	64	62	60	58	55	50	45	40
GVR20-6	7.5		81	79	77	75	73	70	66	61	55	49
GVR20-7	7.5		95	93	91	89	86	82	77	71	65	58
GVR20-8	11		109	107	105	102	99	94	89	82	75	67
GVR20-10	11		136	134	131	128	124	118	111	103	95	85
GVR20-12	15		164	162	158	154	149	142	133	124	114	102
GVR20-14	15		192	189	185	180	174	166	156	145	133	119
GVR20-17	18.5		234	230	225	219	212	202	190	177	162	145

## ● Installation sketch



## ● Size and weight

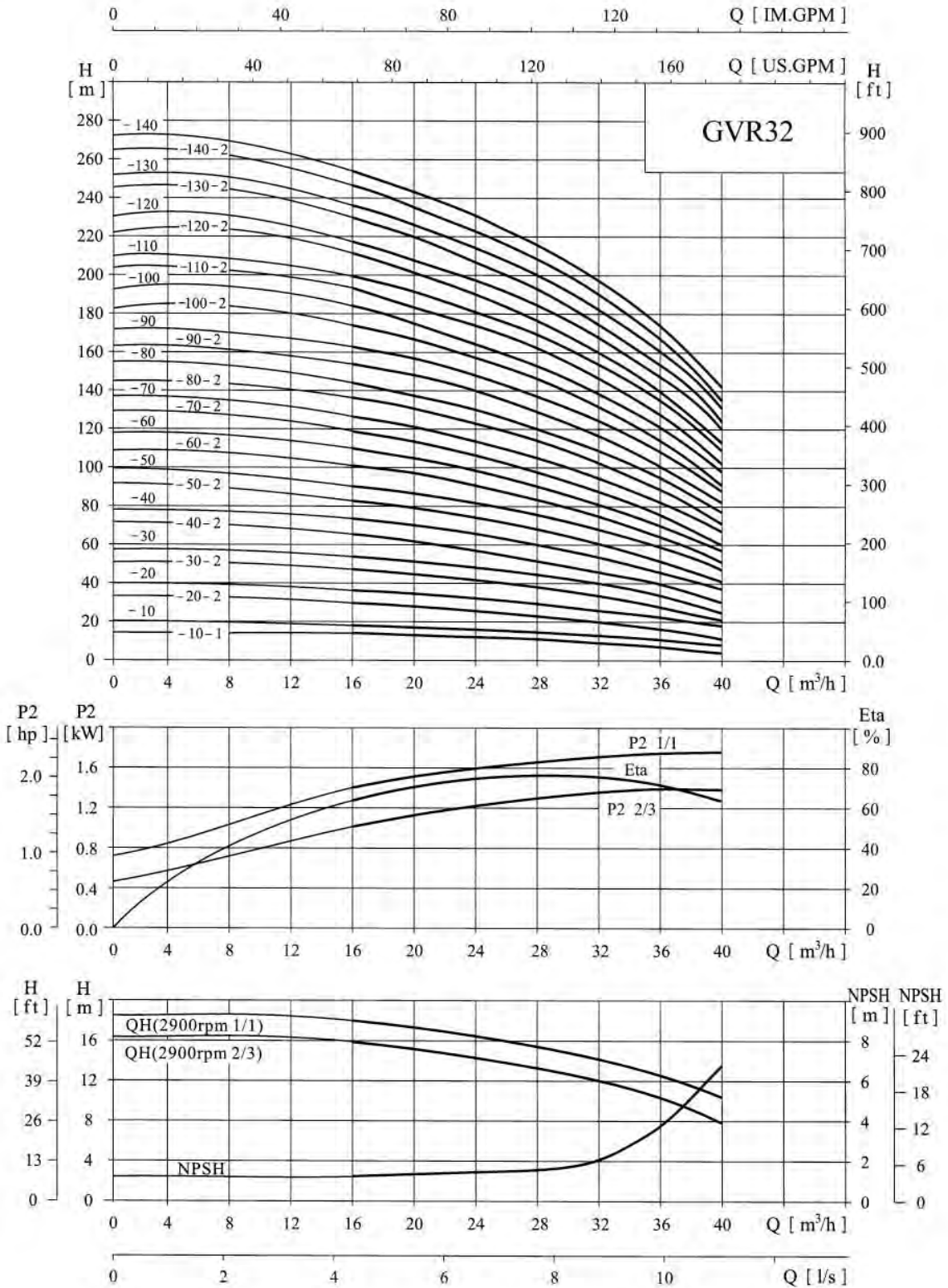
Model	Size (mm)					Weight (kg)
	B1	B2	B1+B2	D1	D2	
GVR20-1	387	245	632	170	142	32
GVR20-2	397	290	687	190	155	43
GVR20-3	452	335	787	230	188	57
GVR20-4	517	430	947	260	208	72
GVR20-5	562	430	992	260	208	74
GVR20-6	607	430	1037	260	208	82
GVR20-7	652	430	1082	260	208	84
GVR20-8	785	490	1275	330	255	140
GVR20-10	875	490	1365	330	255	145
GVR20-12	965	490	1455	330	255	160
GVR20-14	1055	490	1545	330	255	165
GVR20-17	1190	550	1740	330	255	190

The overall dimensions of the single-phase motor and explosion-proof motor are a little changed. Pls contact us for details.

# GVR32, 2900 RPM, 50 Hz

## ● Performance curve

## ISO9906 Annex A

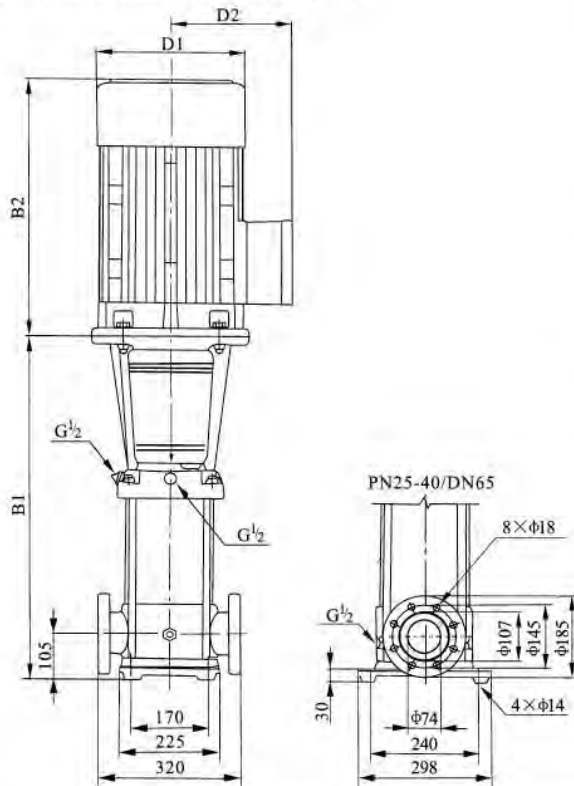


# 2900 RPM, 50 Hz

## ● Performance table

Model	Power (kw)	Q (m <sup>3</sup> /h)	16	20	24	28	32	36	40	Model	Power (kw)	Q (m <sup>3</sup> /h)	16	20	24	28	32	36	40
GVR 32-10-1	1.5	H (m)	14	13	12	11	9	7	4	GVR32-80-2	15	H (m)	136	131	123	114	102	90	71
GVR 32-10	2.2		18	17	15	14	13	11	8	GVR 32-80	15		144	138	130	120	109	97	77
GVR 32-20-2	3.0		29	28	26	23	20	16	11	GVR32-90-2	18.5		154	148	140	129	117	102	82
GVR 32-20	4.0		36	34	32	29	27	23	18	GVR 32-90	18.5		162	156	147	136	124	109	88
GVR 32-30-2	5.5		47	44	41	38	33	28	21	GVR32-100-2	18.5		175	166	157	146	131	115	91
GVR 32-30	5.5		54	51	48	44	40	35	27	GVR32-100	18.5		182	173	164	152	138	122	98
GVR 32-40-2	7.5		65	62	58	53	46	40	30	GVR32-110-2	22		193	184	173	164	146	128	102
GVR 32-40	7.5		72	69	65	59	53	47	37	GVR32-110	22		200	191	180	168	153	135	109
GVR 32-50-2	11		83	79	74	68	60	52	41	GVR32-120-2	22		211	201	189	178	160	140	113
GVR 32-50	11		90	86	81	74	67	59	47	GVR32-120	22		218	208	196	184	167	147	120
GVR 32-60-2	11		101	97	90	83	74	65	51	GVR 32-130-2	30		230	218	206	193	174	153	124
GVR 32-60	11		108	104	97	90	81	72	57	GVR 32-130	30		237	225	213	200	181	160	131
GVR 32-70-2	15		119	114	107	98	88	78	60	GVR 32-140-2	30		247	235	222	210	189	165	135
GVR 32-70	15		126	121	113	105	95	85	67	GVR 32-140	30		255	242	229	216	196	172	142

## ● Installation sketch



## ● Size and weight

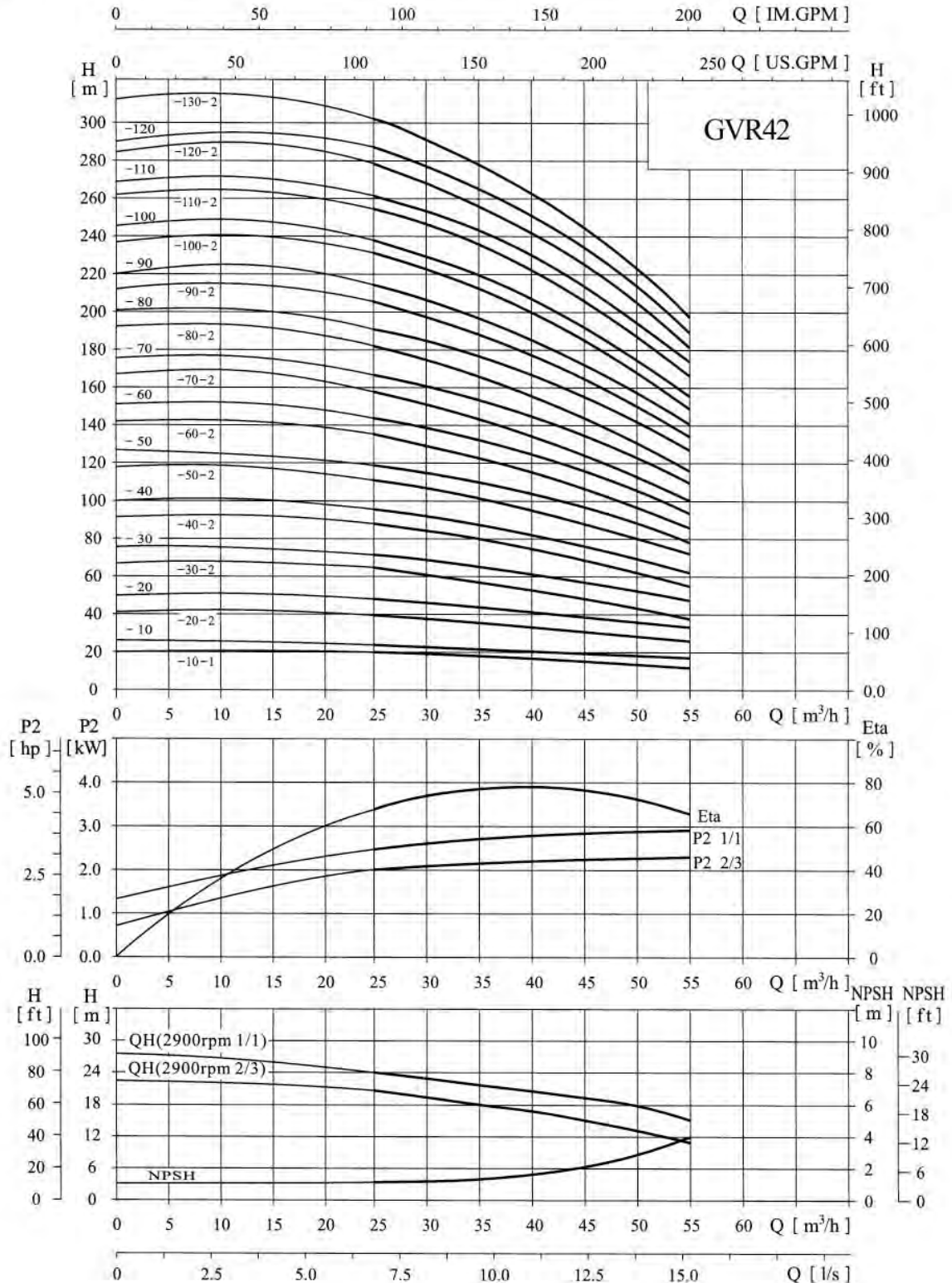
Model	Size (mm)					Weight (kg)
	B1	B2	B1+B2	D1	D2	
GVR32-10-1/GVR32-10	505	290	795	190	155	68/71
GVR32-20-2/GVR32-20	575	315/335	890/910	197/230	165/180	78/84
GVR32-30-2/GVR32-30	645	430	1075	260	208	93
GVR32-40-2/GVR32-40	715	430	1145	260	208	102
GVR32-50-2/GVR32-50	890	490	1380	330	255	172
GVR32-60-2/GVR32-60	960	490	1450	330	255	176
GVR32-70-2/GVR32-70	1030	490	1520	330	255	188
GVR32-80-2/GVR32-80	1100	490	1590	330	255	192
GVR32-90-2/GVR32-90	1170	550	1720	330	255	218
GVR32-100-2/GVR32-100	1240	550	1790	330	255	222
GVR32-110-2/GVR32-110	1310	590	1900	360	285	259
GVR32-120-2/GVR32-120	1380	590	1970	360	285	263
GVR32-130-2/GVR32-130	1450	660	2110	400	310	327
GVR32-140-2/GVR32-140	1520	660	2180	400	310	331

The overall dimensions of the single-phase motor and explosion-proof motor are a little changed. Pls contact us for details.

# GVR42, 2900 RPM, 50 Hz

## ● Performance curve

## ISO9906 Annex A

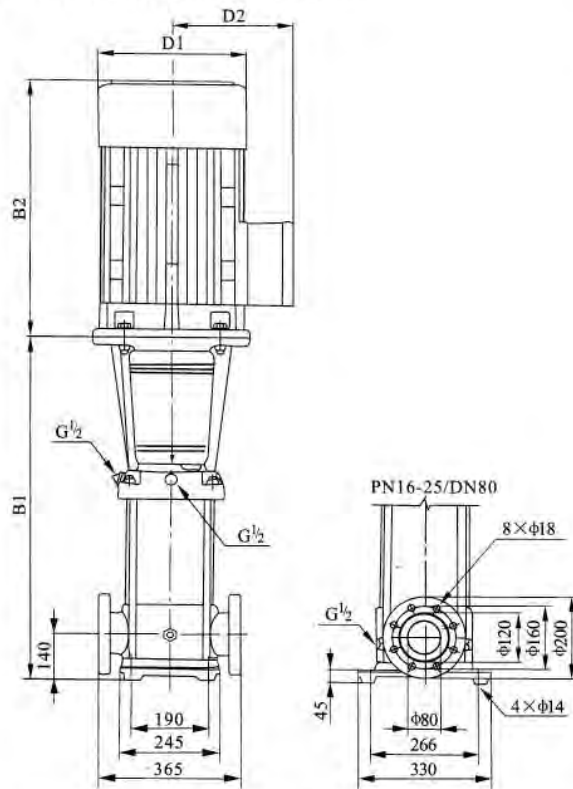


# 2900 RPM, 50 Hz

## ● Performance table

Model	Power (kw)	Q (m <sup>3</sup> /h)	H (m)							
			25	30	35	40	42	45	50	55
GVR42-10-1	3.0		20	19	18	17	16	15	13	11
GVR42-10	4.0		24	23	22	21	20	19	18	16
GVR42-20-2	5.5		40	38	36	33	32	30	27	23
GVR42-20	7.5		48	46	44	42	41	39	35	31
GVR42-30-2	11		63	61	58	54	52	50	44	38
GVR42-30	11		71	69	66	63	61	58	53	47
GVR42-40-2	15		87	84	80	75	73	69	62	54
GVR42-40	15		95	92	88	84	81	78	71	62
GVR42-50-2	18.5		111	107	102	96	93	88	80	69
GVR42-50	18.5		119	115	110	105	101	97	88	78
GVR42-60-2	22		135	130	124	117	113	108	97	85
GVR42-60	22		143	138	132	125	122	116	106	93
GVR42-70-2	30		158	152	146	138	134	127	115	100
GVR42-70	30		166	161	154	146	142	135	124	109
GVR42-80-2	30		182	175	168	159	154	146	133	116
GVR42-80	30		190	184	176	167	162	154	141	124
GVR42-90-2	30		205	198	190	180	174	166	150	132
GVR42-90	37		214	207	198	188	183	174	159	140
GVR42-100-2	37		230	221	212	200	194	185	168	147
GVR42-100	37		238	230	220	209	203	193	177	155
GVR42-110-2	45		255	246	236	223	217	206	188	165
GVR42-110	45		263	255	244	232	225	214	196	173
GVR42-120-2	45		280	270	259	245	238	226	206	181
GVR42-120	45		289	280	268	255	247	236	216	190
GVR42-130-2	45		305	294	282	267	259	247	225	198

## ● Installation sketch



## ● Size and weight

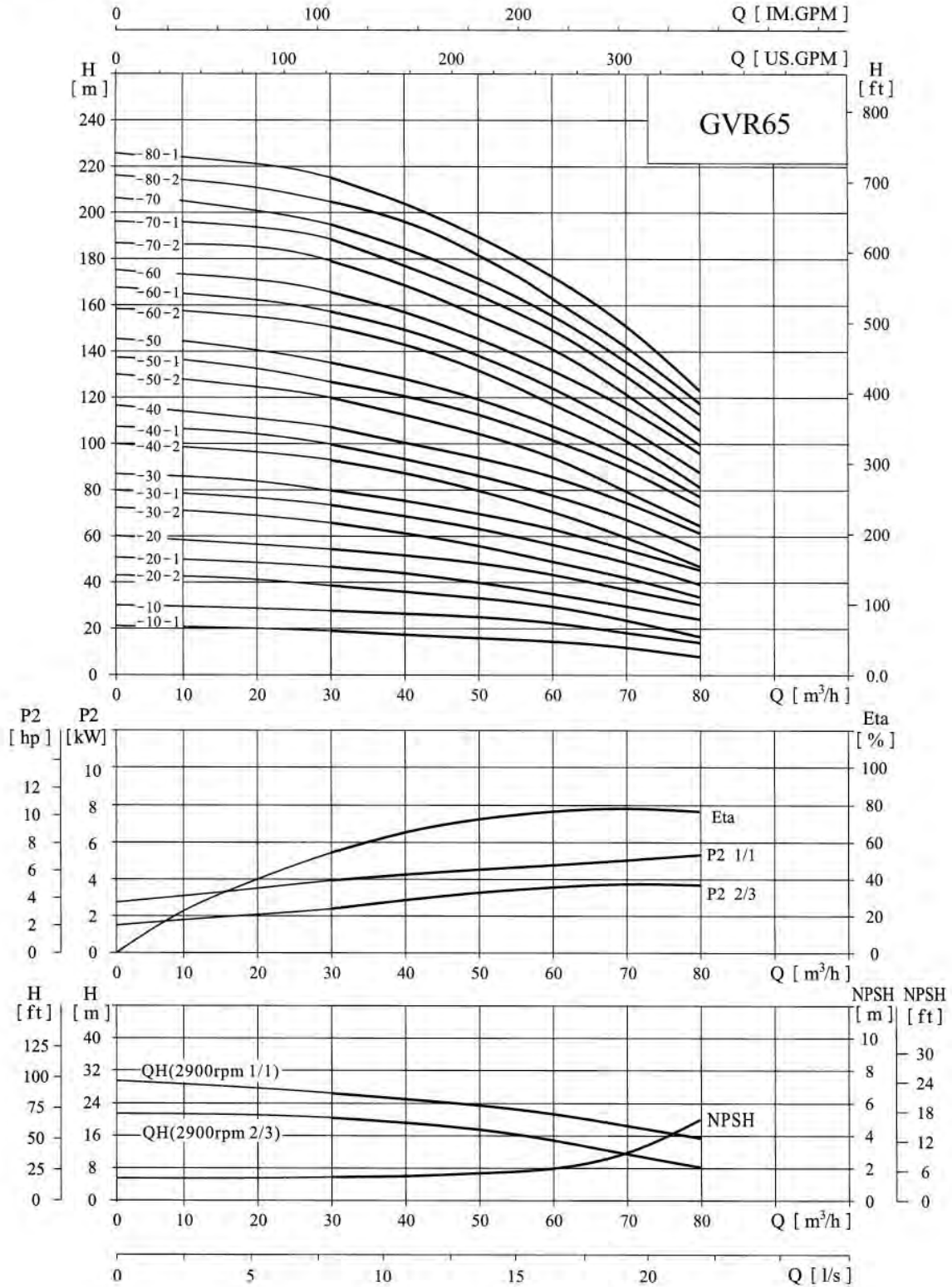
Model	Size (mm)					Weight (kg)
	B1	B2	B1+B2	D1	D2	
GVR42-10-1						
GVR42-10	561	315/335	876/896	197/230	165/188	86/92
GVR42-20-2						
GVR42-20	641	430	1071	260	208	102/107
GVR42-30-2						
GVR42-30	826	490	1316	330	255	175
GVR42-40-2						
GVR42-40	906	490	1396	330	255	187
GVR42-50-2						
GVR42-50	986	550	1536	330	255	208
GVR42-60-2						
GVR42-60	1066	590	1656	360	285	251
GVR42-70-2						
GVR42-70	1146	660	1806	400	310	315
GVR42-80-2						
GVR42-80	1226	660	1886	400	310	319
GVR42-90-2						
GVR42-90	1306	660	1966	400	310	323/343
GVR42-100-2						
GVR42-100	1386	660	2046	400	310	347
GVR42-110-2						
GVR42-110	1466	700	2166	450	345	413
GVR42-120-2						
GVR42-120	1546	700	2246	450	345	417
GVR42-130-2						
GVR42-130	1626	700	2326	450	345	421

The overall dimensions of the single-phase motor and explosion-proof motor are a little changed. Pls contact us for details.

# GVR65, 2900 RPM, 50 Hz

● Performance curve

ISO9906 Annex A

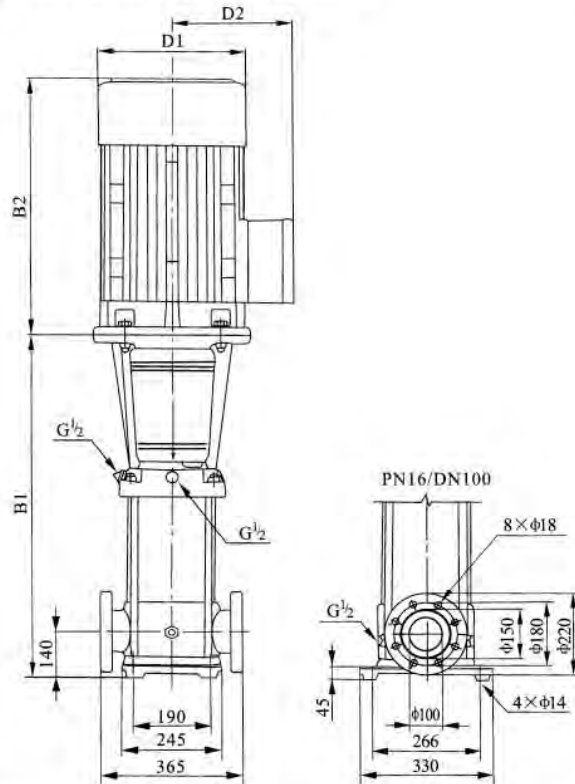


# 2900 RPM, 50 Hz

## ● Performance table

Model	Power (kw)	Q (m <sup>3</sup> /h)	H (m)						
			30	40	50	60	65	70	80
GVR65-10-1	4.0	H (m)	19	18	16	14	13	11	8
GVR65-10	5.5		27	25	23	21	20	18	15
GVR65-20-2	7.5		39	36	33	29	26	23	17
GVR65-20-1	11		46	44	40	36	33	30	24
GVR65-20	11		53	51	47	43	40	37	30
GVR65-30-2	15		66	62	56	50	46	41	32
GVR65-30-1	15		73	69	63	57	53	48	39
GVR65-30	18.5		80	76	70	64	60	55	46
GVR65-40-2	18.5		92	87	80	71	66	60	47
GVR65-40-1	22		100	94	87	78	73	67	54
GVR65-40	22		107	101	94	85	80	74	61
GVR65-50-2	30		121	114	105	95	88	80	64
GVR65-50-1	30		128	121	112	102	95	87	71
GVR65-50	30		136	129	119	109	102	94	78
GVR65-60-2	30		150	142	131	118	110	101	81
GVR65-60-1	37		157	149	138	125	117	108	88
GVR65-60	37		164	156	145	132	124	115	95
GVR65-70-2	37		179	169	156	141	132	121	99
GVR65-70-1	37		186	176	163	148	139	128	106
GVR65-70	45		193	183	170	155	146	135	112
GVR65-80-2	45	207	196	182	164	154	142	116	
GVR65-80-1	45	215	203	189	171	161	149	123	

## ● Installation sketch



## ● Size and weight

Model	Size (mm)					Weight (kg)
	B1	B2	B1+B2	D1	D2	
GVR65-10-1	561	335	896	230	188	105
GVR65-10	561	430	991	260	208	110
GVR65-20-2	644	430	1074	260	208	120
GVR65-20-1	754	490	1244	330	255	155
GVR65-20	754	490	1244	330	255	155
GVR65-30-2	836	490	1326	330	255	195
GVR65-30-1	836	490	1326	330	255	195
GVR65-30	836	550	1386	330	255	205
GVR65-40-2	919	550	1469	330	255	208
GVR65-40-1	919	590	1509	360	285	260
GVR65-40	919	590	1509	360	285	260
GVR65-50-2	1001	660	1661	400	310	345
GVR65-50-1	1001	660	1661	400	310	345
GVR65-50	1001	660	1661	400	310	345
GVR65-60-2	1084	660	1744	400	310	350
GVR65-60-1	1084	660	1744	400	310	370
GVR65-60	1084	660	1744	400	310	370
GVR65-70-2	1166	660	1826	400	310	375
GVR65-70-1	1166	660	1826	400	310	375
GVR65-70	1166	700	1866	400	310	435
GVR65-80-2	1248	700	1948	460	340	440
GVR65-80-1	1248	700	1948	460	340	440

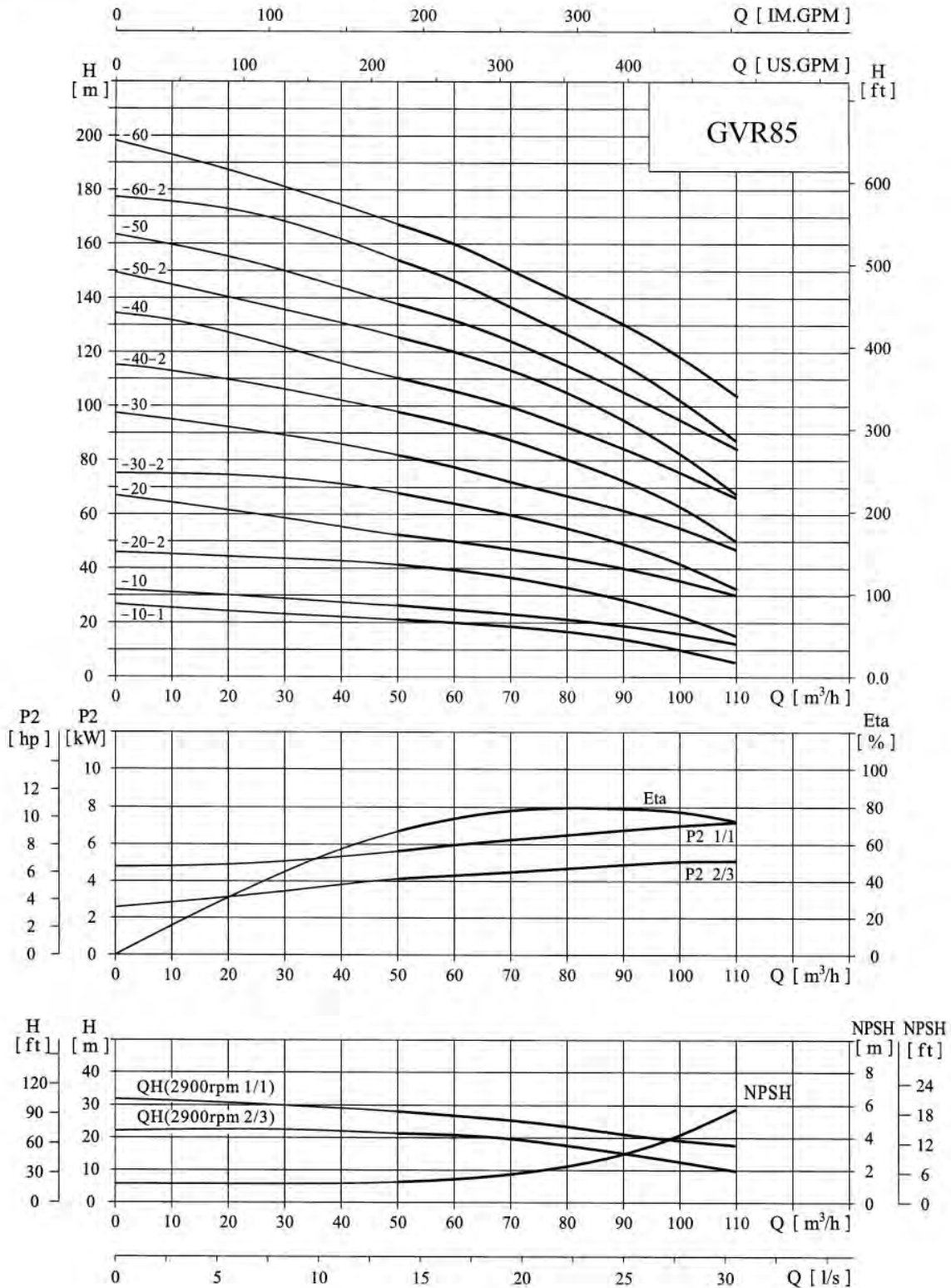
The overall dimensions of the single-phase motor and explosion-proof motor are a little changed. Pls contact us for details.



# GVR85, 2900 RPM, 50 Hz

● Performance curve

ISO9906 Annex A

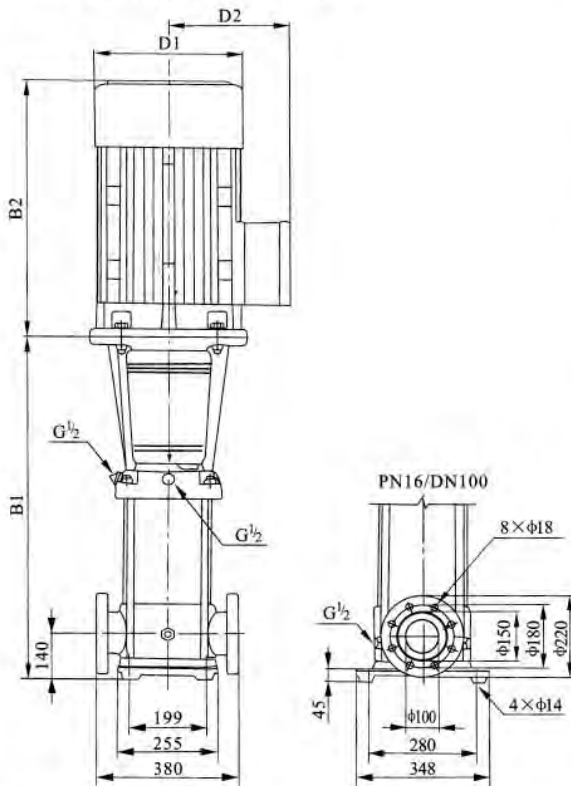


# 2900 RPM, 50 Hz

## ● Performance table

Model	Power (kw)	Q (m <sup>3</sup> /h)	H (m)							
			50	60	70	80	85	90	100	110
GVR 85-10-1	5.5		22	19	17	16	14	13	10	6
GVR 85-10	7.5		25	24	22	21	20	19	16	12
GVR 85-20-2	11		41	39	36	32	30	28	22	15
GVR 85-20	15		53	50	47	44	41	40	36	30
GVR 85-30-2	18.5		68	65	60	55	52	49	41	32
GVR 85-30	22		81	77	72	67	64	62	55	48
GVR 85-40-2	30		98	93	87	80	75	72	62	50
GVR 85-40	30		110	105	100	92	86	84	76	66
GVR 85-50-2	37		126	120	113	104	98	93	81	68
GVR 85-50	37		139	131	124	115	110	106	94	83
GVR 85-60-2	45		155	148	139	129	122	117	102	86
GVR 85-60	45		168	160	150	141	134	130	117	103

## ● Installation sketch



## ● Size and weight

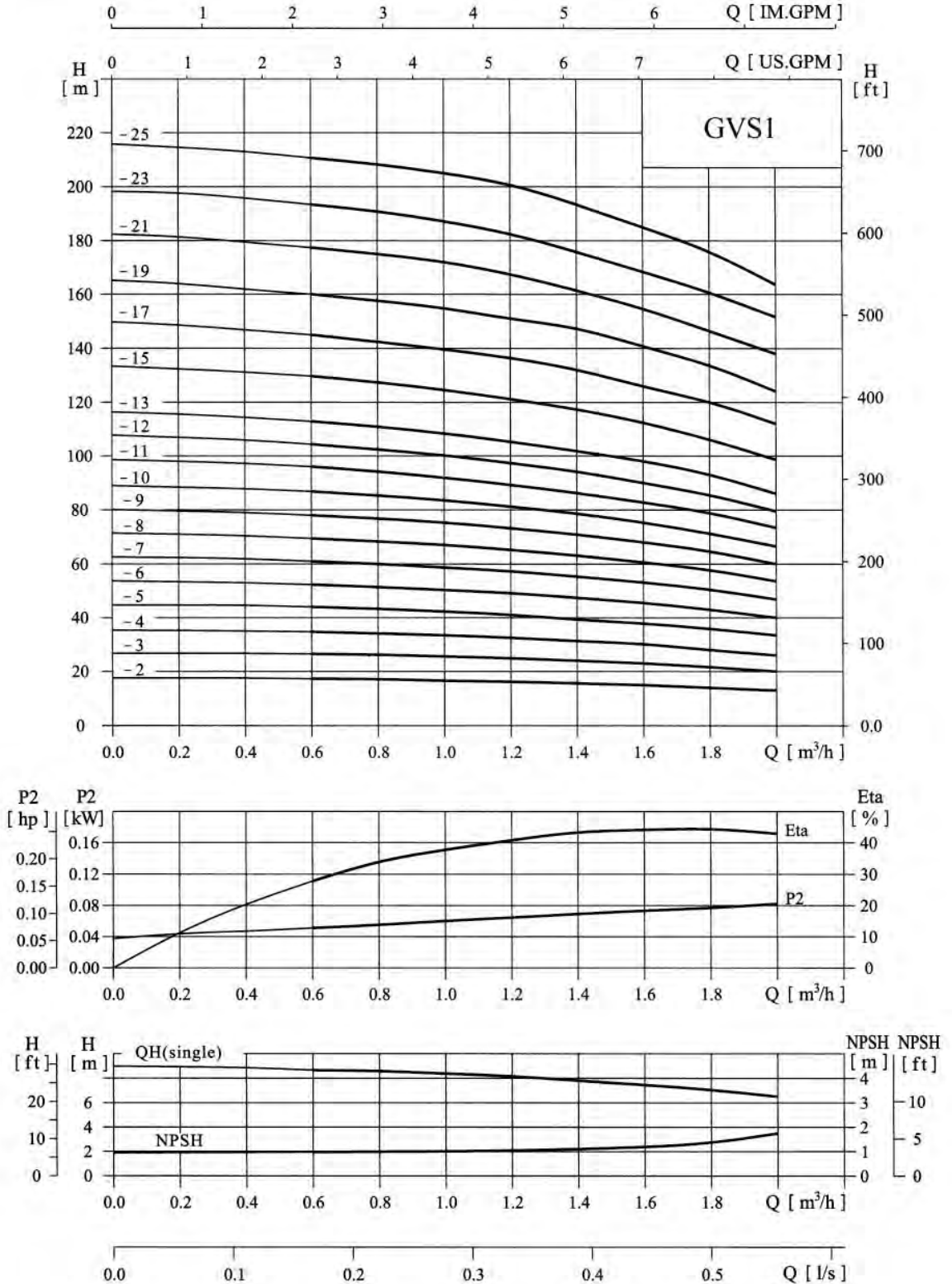
Model	Size (mm)					Weight (kg)
	B1	B2	B1+B2	D1	D2	
GVR85-10-1	571	430	1001	260	208	120
GVR85-10	571	430	1001	260	208	122
GVR85-20-2	773	490	1263	330	255	165
GVR85-20	773	490	1263	330	255	198
GVR85-30-2	865	550	1415	330	255	212
GVR85-30	865	590	1455	360	285	265
GVR85-40-2	957	660	1617	400	310	348
GVR85-40	957	660	1617	400	310	348
GVR85-50-2	1049	660	1709	400	310	375
GVR85-50	1049	660	1709	400	310	375
GVR85-60-2	1141	700	1841	460	340	438
GVR85-60	1141	700	1841	460	340	438

The overall dimensions of the single-phase motor and explosion-proof motor are a little changed. Pls contact us for details.

# GVS1, 3500 RPM, 60 Hz

● Performance curve

ISO9906 Annex A

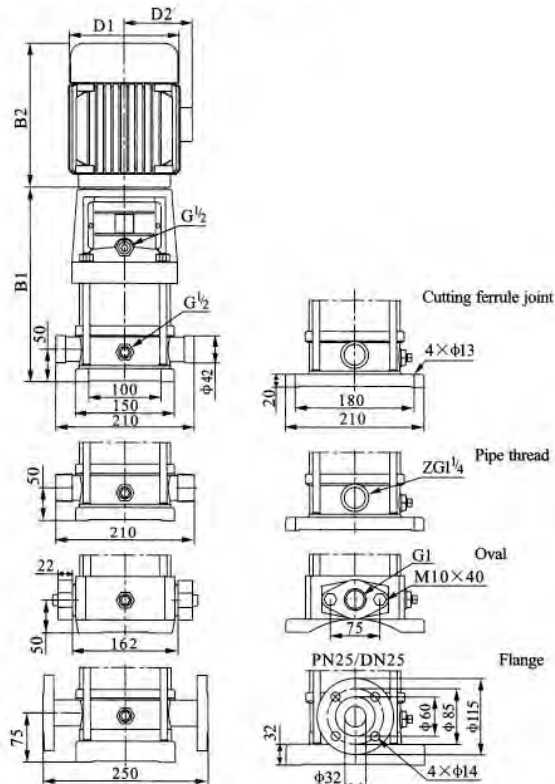


# 3500 RPM, 60 Hz

## ● Performance table

Model	Power (kw)	Q (m <sup>3</sup> /h)	0.6	0.8	1	1.2	1.4	1.6	1.8	2
GVS1-2	0.37	H (m)	17.5	17	16.5	16	15.5	15	14	13
GVS1-3	0.37		26.5	26	25	24	23	22	21	20
GVS1-4	0.37		35	34	33	32	31	30	28	26
GVS1-5	0.55		43	42	41	40	39	38	35	33
GVS1-6	0.55		52	51	50	48	47	45	43	39
GVS1-7	0.75		60	59	58	56	55	52	50	46
GVS1-8	0.75		68	67	65	64	62	59	57	53
GVS1-9	0.75		76	75	74	73	71	66	64	60
GVS1-10	1.1		85	84	83	81	78	74	72	67
GVS1-11	1.1		95	93	90	87	85	81	78	73
GVS1-12	1.1		103	102	98	96	92	88	86	79
GVS1-13	1.1		112	110	107	105	100	95	93	86
GVS1-15	1.5		127	125	123	121	117	112	107	99
GVS1-17	1.5		144	141	139	137	132	124	120	112
GVS1-19	2.2		160	157	155	153	147	141	134	124
GVS1-21	2.2		177	174	172	168	162	153	147	138
GVS1-23	2.2	193	190	188	184	174	167	161	152	
GVS1-25	3	210	207	205	202	192	184	176	164	

## ● Installation sketch



## ● Size and weight

Model	Size (mm)					Weight (kg)
	B1	B2	B1+B2	D1	D2	
GVS1-2	258	210	468	148	117	20
GVS1-3	276	210	486	148	117	20
GVS1-4	294	210	504	148	117	20
GVS1-5	312	210	522	148	117	22
GVS1-6	330	210	540	148	117	22
GVS1-7	358	245	603	170	142	25
GVS1-8	376	245	621	170	142	25
GVS1-9	394	245	639	170	142	25
GVS1-10	412	245	657	170	142	28
GVS1-11	430	245	675	170	142	28
GVS1-12	448	245	693	170	142	28
GVS1-13	466	245	711	170	142	28
GVS1-15	512	290	802	190	155	30
GVS1-17	548	290	838	190	155	30
GVS1-19	584	290	874	190	155	35
GVS1-21	620	290	910	190	155	35
GVS1-23	656	290	946	190	155	40
GVS1-25	702	315	1017	197	165	45

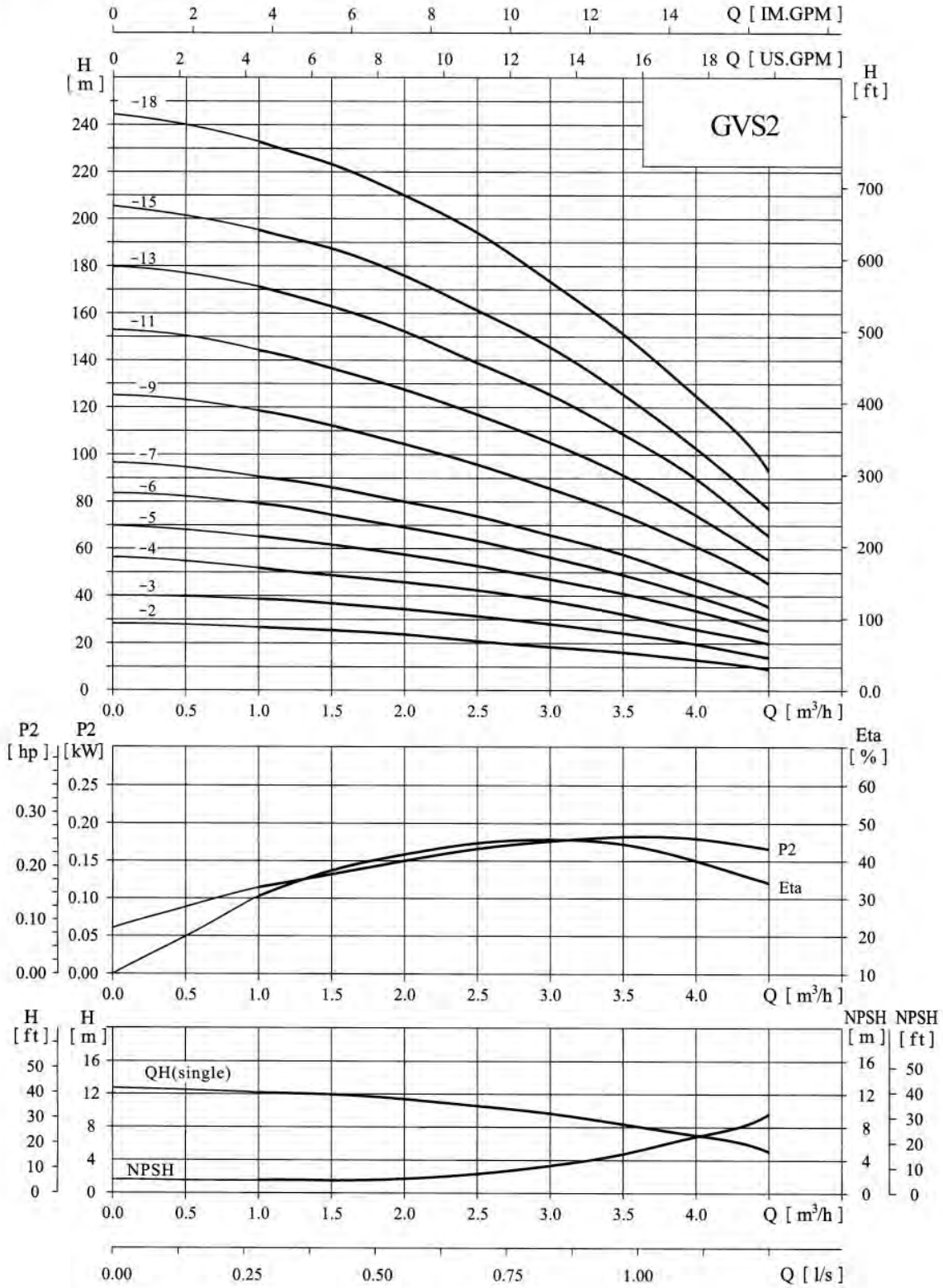
GVS1-19 ~ 1-25 sub-connection of pipeline without oval flange

The overall dimensions of the single-phase motor and explosion-proof motor are a little changed. Pls contact us for details.

# GVS2, 3500 RPM, 60 Hz

## ● Performance curve

ISO9906 Annex A

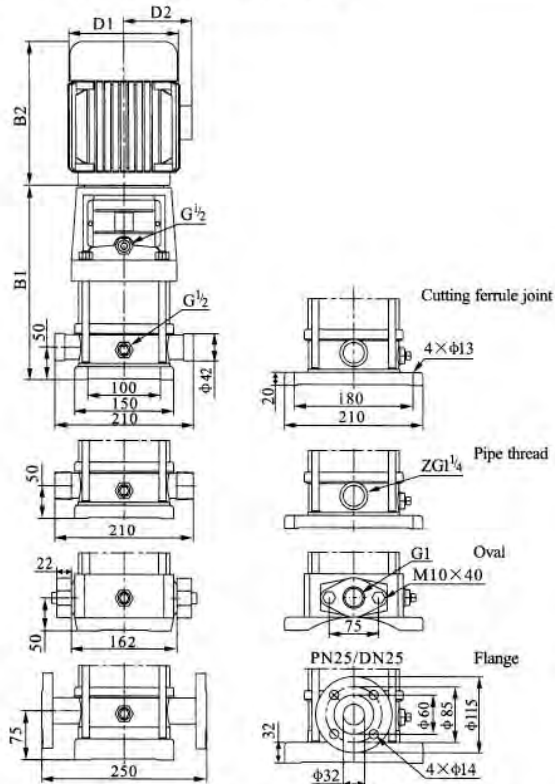


# 3500 RPM, 60 Hz

## ● Performance table

Model	Power (kw)	Q (m <sup>3</sup> /h)	1	1.5	2	2.5	3	3.5	4	4.5
GVS 2-2	0.55	H (m)	26	24	22	21	18	16	12	9
GVS 2-3	0.75		39	36	33	31	27	24	19	15
GVS 2-4	1.1		52	48	45	42	36	32	26	20
GVS 2-5	1.1		65	60	57	52	46	41	32	25
GVS 2-6	1.1		78	74	69	63	56	49	40	30
GVS 2-7	1.5		91	86	81	74	66	57	47	35
GVS 2-9	2.2		117	111	104	95	86	75	61	45
GVS 2-11	2.2		143	136	128	116	104	90	75	56
GVS 2-13	3		171	163	152	139	126	108	90	66
GVS 2-15	3		195	186	176	160	142	125	103	77
GVS 2-18	4		234	228	212	195	171	151	126	94

## ● Installation sketch



## ● Size and weight

Model	Size (mm)					Weight (kg)
	B1	B2	B1+B2	D1	D2	
GVS2-2	258	210	468	148	117	20
GVS2-3	286	245	531	170	142	20
GVS2-4	304	245	549	170	142	25
GVS2-5	322	245	567	170	142	25
GVS2-6	340	245	585	170	142	25
GVS2-7	368	290	658	170	155	30
GVS2-9	404	290	694	190	155	35
GVS2-11	440	290	730	190	155	35
GVS2-13	486	315	801	197	165	40
GVS2-15	522	315	837	197	165	40
GVS2-18	576	335	911	230	185	45

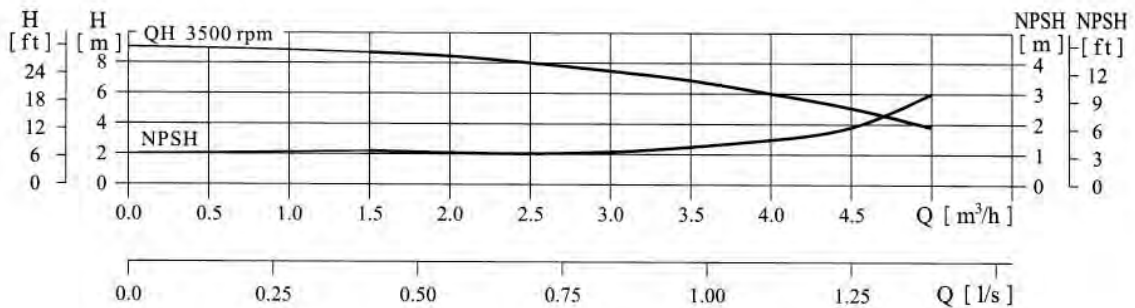
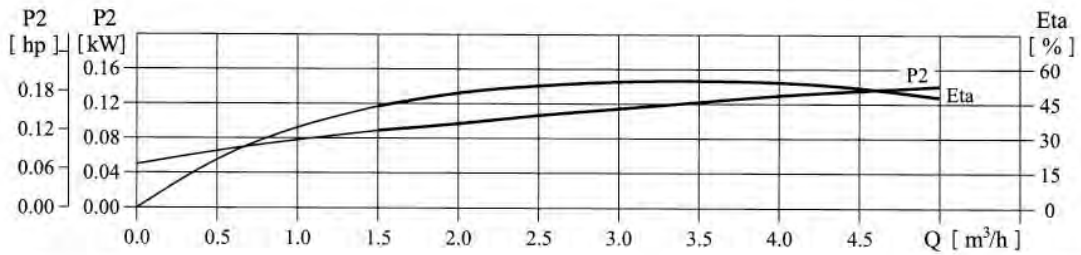
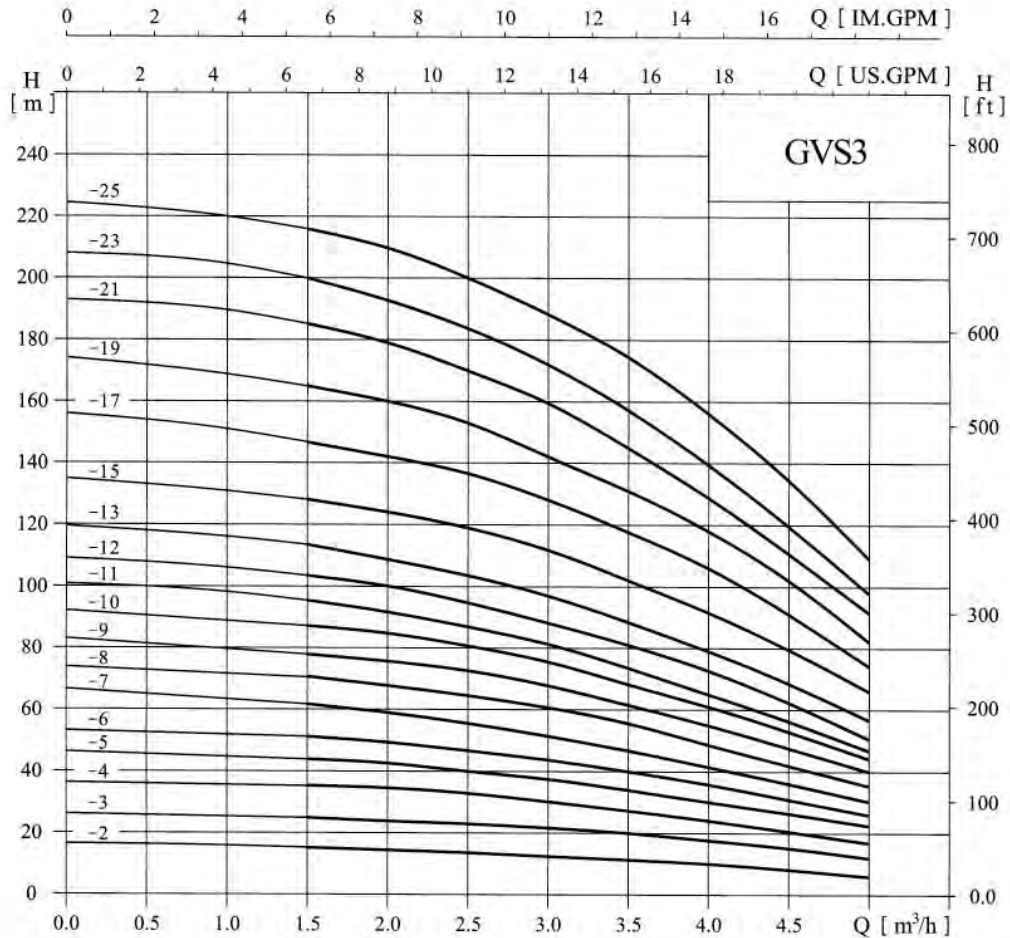
GVS2-13 ~ 2-18 sub-connection of pipeline without oval flange

The overall dimensions of the single-phase motor and explosion-proof motor are a little changed. Pls contact us for details.

# GVS3, 3500 RPM, 60 Hz

● Performance curve

ISO9906 Annex A

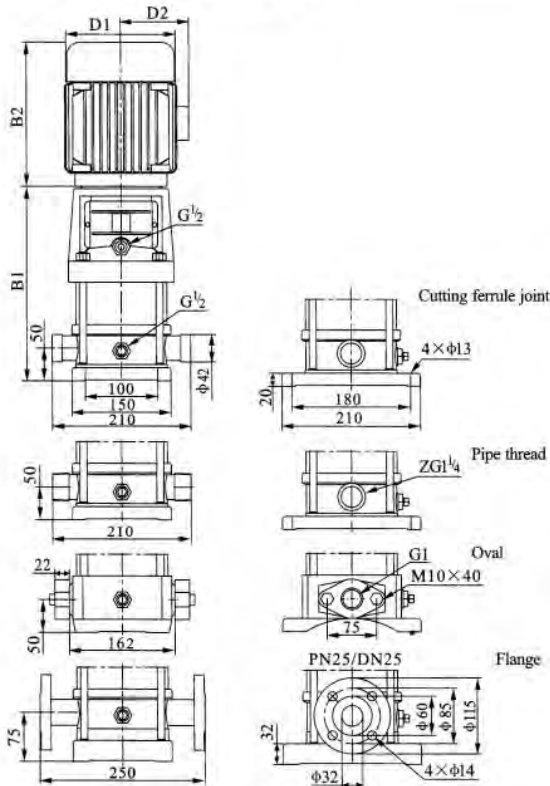


# 3500 RPM, 60 Hz

## ● Performance table

Model	Power (kw)	Q (m <sup>3</sup> /h)	1.5	2	2.5	3	3.5	4	4.5	5
GVS 3-2	0.37	H (m)	17.5	16	15	14	13	11	9	8
GVS 3-3	0.55		26.5	25	24	23	20	18	15	12
GVS 3-4	0.55		35	34	32	30	27	25	20	17
GVS 3-5	0.75		44	42	40	38	33	31	26	23
GVS 3-6	1.1		51	50	48	45	40	37	32	27
GVS 3-7	1.1		61	59	56	52	46	43	38	31
GVS 3-8	1.1		70	67	64	61	53	49	44	35
GVS 3-9	1.5		78	77	72	68	60	56	50	40
GVS 3-10	1.5		87	84	81	76	68	63	55	44
GVS 3-11	1.5		96	92	87	82	74	69	59	48
GVS 3-12	2.2		104	100	96	90	79	73	63	52
GVS 3-13	2.2		112	109	104	98	86	80	69	57
GVS 3-15	2.2		129	126	120	112	99	93	81	65
GVS 3-17	2.2		147	143	137	128	114	106	91	74
GVS 3-19	3		165	160	153	142	126	118	102	82
GVS 3-21	3		183	178	170	160	141	129	112	91
GVS 3-23	3		200	194	185	174	154	142	122	98
GVS 3-25	4	217	211	202	187	167	154	134	108	

## ● Installation sketch



GVS3-17 ~ 3-25 sub-connection of pipeline without oval flange

The overall dimensions of the single-phase motor and explosion-proof motor are a little changed. Pls contact us for details.

## ● Size and weight

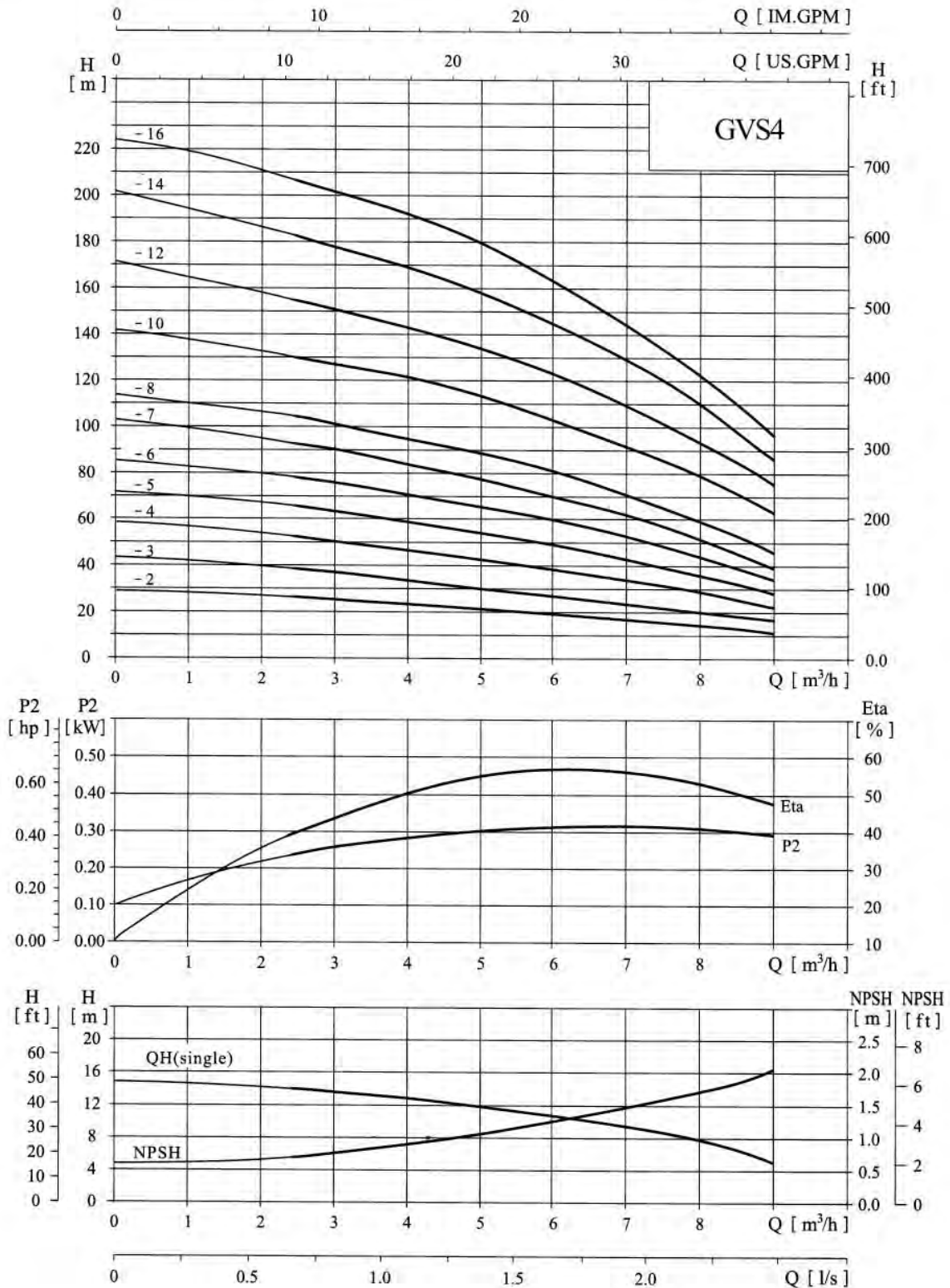
Model	Size (mm)					Weight (kg)
	B1	B2	B1+B2	D1	D2	
GVS 3-2	258	210	468	148	117	20
GVS 3-3	276	210	486	148	117	20
GVS 3-4	294	210	504	148	117	20
GVS 3-5	322	245	567	170	142	22
GVS 3-6	340	245	585	170	142	25
GVS 3-7	358	245	603	170	142	25
GVS 3-8	376	245	621	170	142	25
GVS 3-9	404	290	694	190	155	30
GVS 3-10	422	290	712	190	155	30
GVS 3-11	440	290	730	190	155	30
GVS 3-12	458	290	748	190	155	35
GVS 3-13	476	290	766	190	155	35
GVS 3-15	512	290	802	190	155	35
GVS 3-17	548	290	838	190	155	35
GVS 3-19	594	315	909	197	165	40
GVS 3-21	630	315	945	197	165	40
GVS 3-23	666	315	981	197	165	40
GVS 3-25	702	335	1037	230	188	50



# GVS4, 3500 RPM, 60 Hz

● Performance curve

ISO9906 Annex A

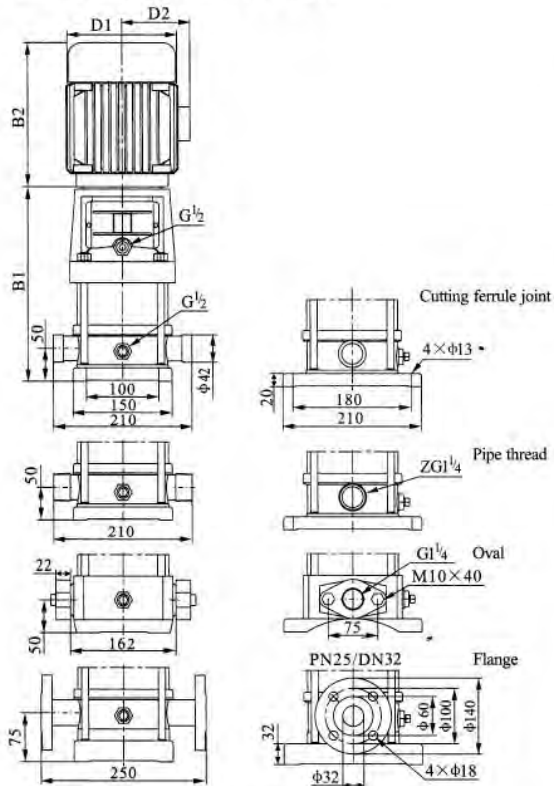


# 3500 RPM, 60 Hz

## ● Performance table

Model	Power (kw)	Q (m <sup>3</sup> /h)	2.5	3	4	5	6	7	8	9
GVS 4-2	0.75	H (m)	26	25	23	21	19	16	14	11
GVS 4-3	1.1		39	38	36	32	28	24	21	18
GVS 4-4	1.5		52	50	48	44	38	35	31	22
GVS 4-5	2.2		65	62	60	55	49	44	39	27
GVS 4-6	2.2		78	75	72	67	59	54	47	33
GVS 4-7	3		92	88	84	78	69	62	55	38
GVS 4-8	3		104	100	95	90	79	72	63	44
GVS 4-10	4		130	125	120	113	102	90	80	61
GVS 4-12	4		156	150	145	136	122	109	96	74
GVS 4-14	5.5		182	176	170	159	145	129	112	86
GVS 4-16	5.5		207	201	196	183	165	146	128	98

## ● Installation sketch



## ● Size and weight

Model	Size (mm)					Weight (kg)
	B1	B2	B1+B2	D1	D2	
GVS 4-2	286	245	531	170	142	20
GVS 4-3	313	245	558	170	142	20
GVS 4-4	350	290	640	190	155	25
GVS 4-5	376	290	667	190	155	30
GVS 4-6	404	290	694	190	155	35
GVS 4-7	441	315	756	197	165	40
GVS 4-8	468	315	783	197	165	40
GVS 4-10	522	335	857	230	188	45
GVS 4-12	576	335	911	230	188	45
GVS 4-14	650	430	1080	260	208	70
GVS 4-16	704	430	1134	260	208	70

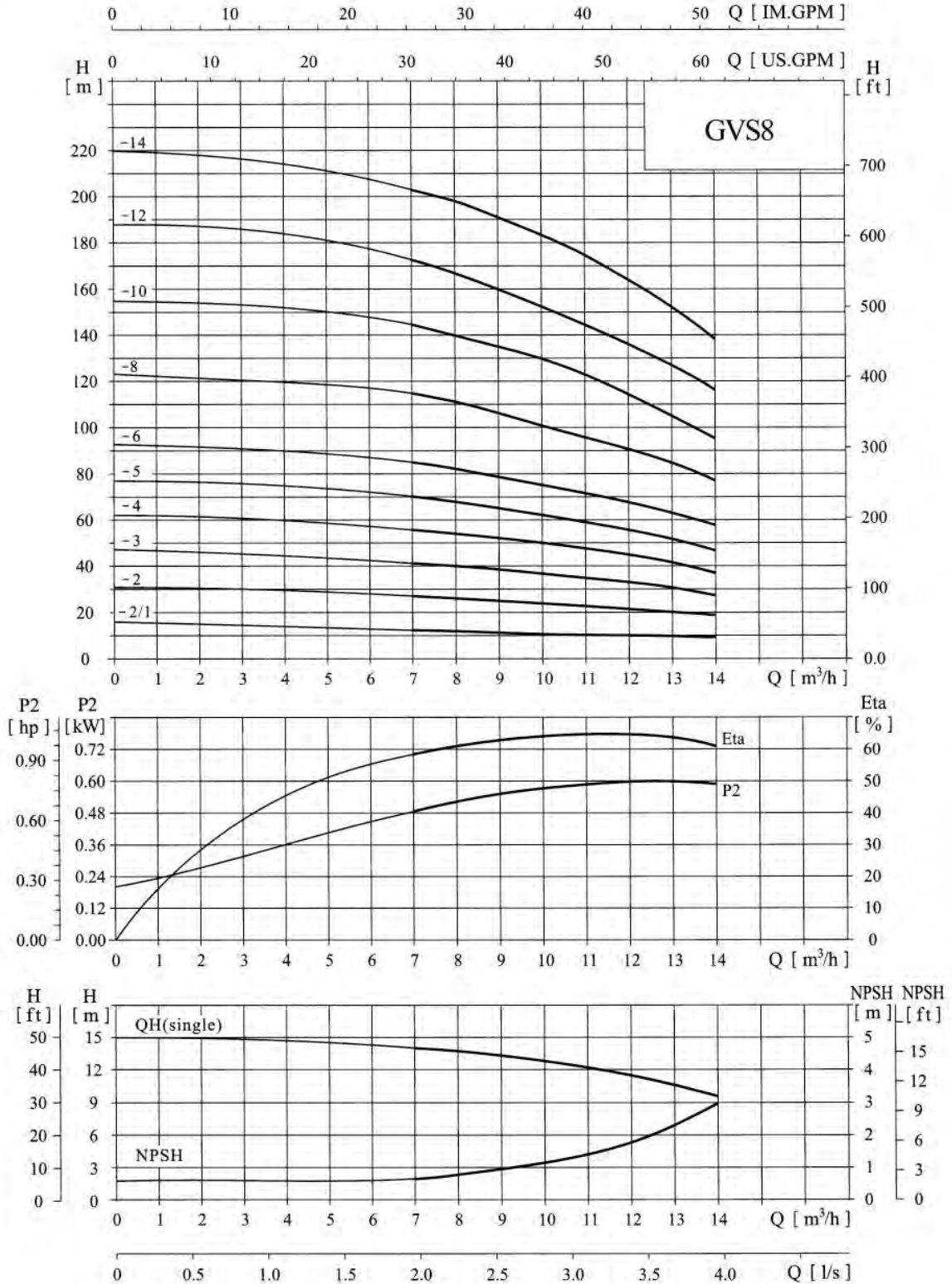
GVS4-12 ~ 4-16 sub-connection of pipeline without oval flange

The overall dimensions of the single-phase motor and explosion-proof motor are a little changed. Pls contact us for details.

# GVS8, 3500 RPM, 60 Hz

## ● Performance curve

## ISO9906 Annex A

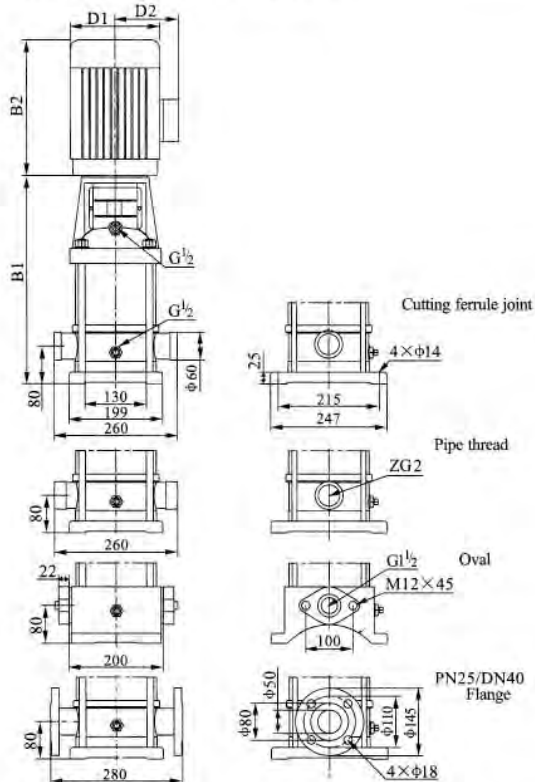


# 3500 RPM, 60 Hz

## ● Performance table

Model	Power (kw)	Q (m <sup>3</sup> /h)	7	8	9	10	11	12	13	14
GVS 8-2/1	0.75	H (m)	13	12	11.5	11	10.5	10	9.5	9
GVS 8-2	1.5		27	26	25	24	23	22	20	18
GVS 8-3	2.2		41	40	38	37	35	33	30	28
GVS 8-4	3		55	54	52	50	47	45	41	38
GVS 8-5	3		70	68	65	63	59	56	52	47
GVS 8-6	4		85	82	78	76	72	68	62	57
GVS 8-8	5.5		115	110	105	101	97	91	84	75
GVS 8-10	7.5		145	140	132	126	122	115	105	95
GVS 8-12	7.5		173	167	160	152	147	132	125	115
GVS 8-14	11		202	195	188	179	174	163	147	135

## ● Installation sketch



GVS8-10 ~ 8-14 sub-connection of pipeline without oval flange

The overall dimensions of the single-phase motor and explosion-proof motor are a little changed. Pls contact us for details.

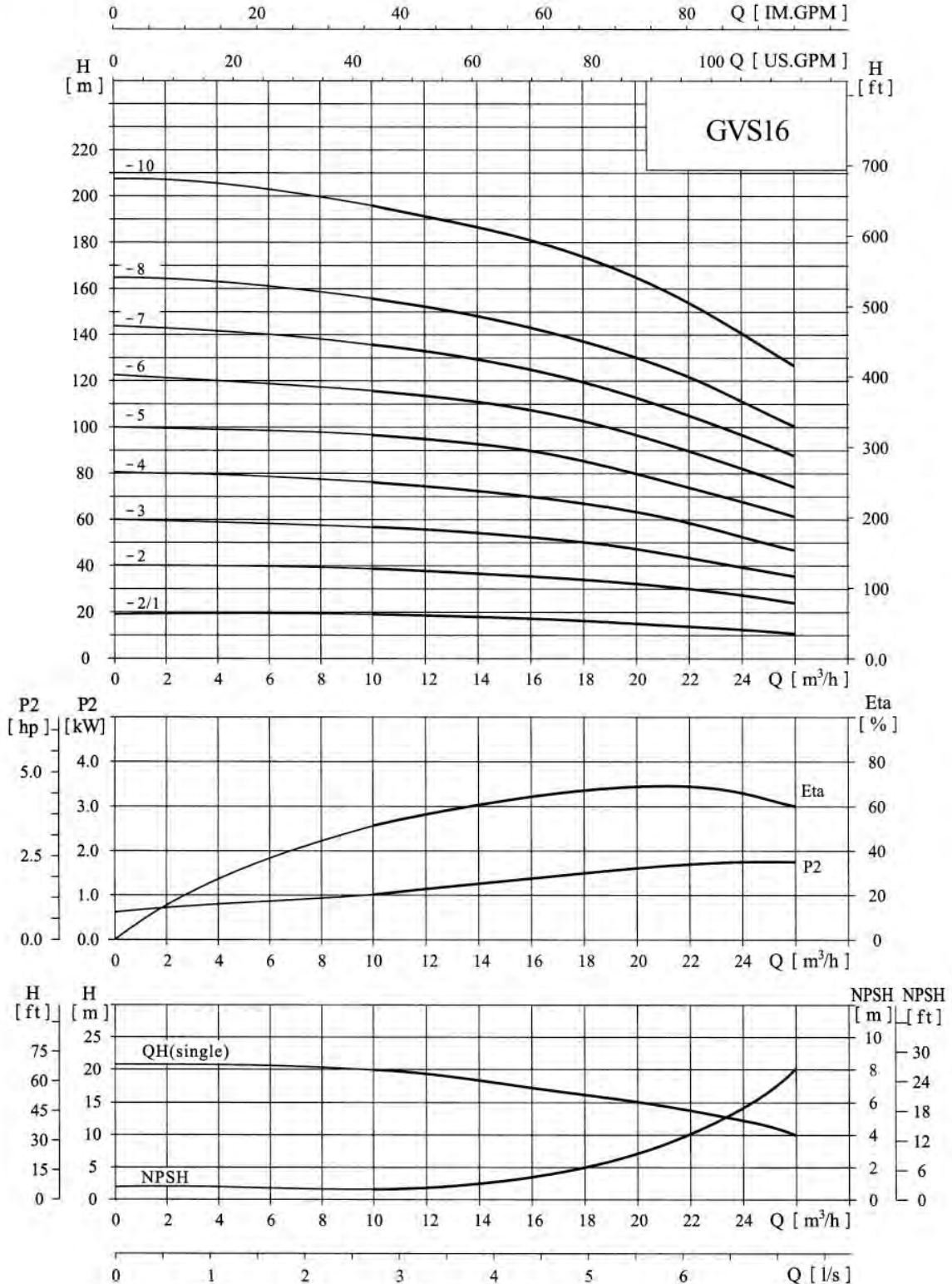
## ● Size and weight

Model	Size (mm)					Weight (kg)
	B1	B2	B1+B2	D1	D2	
GVS 8-2/1	347	245	592	170	142	27
GVS 8-2	357	290	647	190	155	32
GVS 8-3	387	290	677	192	155	37
GVS 8-4	427	315	742	197	165	42
GVS 8-5	457	315	772	197	165	47
GVS 8-6	487	335	822	230	188	52
GVS 8-8	567	430	997	260	188	77
GVS 8-10	627	430	1057	260	208	87
GVS 8-12	687	430	1117	260	208	87
GVS 8-14	835	490	1325	330	255	132

# GVS16, 3500 RPM, 60 Hz

## ● Performance curve

## ISO9906 Annex A

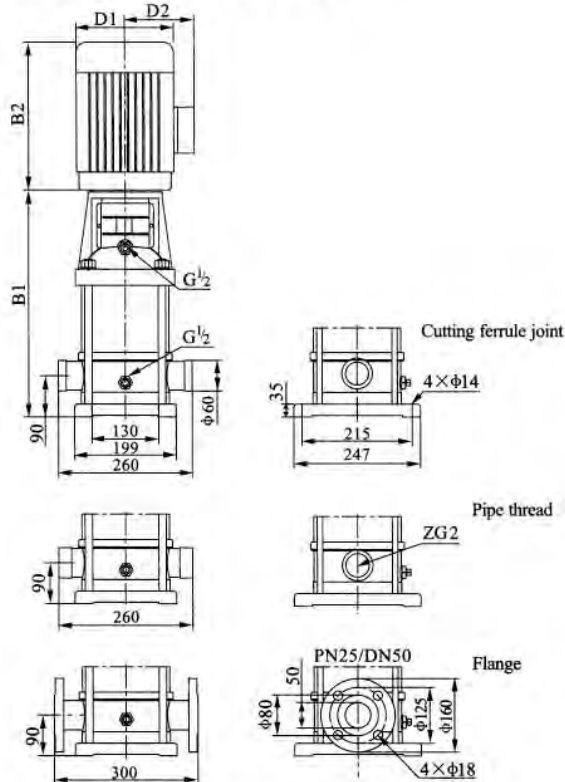


# 3500 RPM, 60 Hz

## ● Performance table

Model	Power (kw)	Q (m <sup>3</sup> /h)	H (m)								
			10	12	14	16	18	20	22	24	26
GVS16-2/1	2.2		19	18.5	18	17	16	15	14	13	11
GVS 16-2	4		38	37	36	35	34	32	30	27	24
GVS 16-3	5.5		57	56	55	54	51	48	45	40	36
GVS 16-4	7.5		76	75	73	72	68	64	60	54	49
GVS 16-5	11		96	94	92	90	85	80	75	68	62
GVS 16-6	11		115	113	111	108	102	96	91	82	75
GVS 16-7	15		135	132	129	126	119	113	106	96	88
GVS 16-8	15		155	152	148	144	137	130	122	111	101
GVS 16-10	18.5		197	192	187	181	174	165	153	139	127

## ● Installation sketch



## ● Size and weight

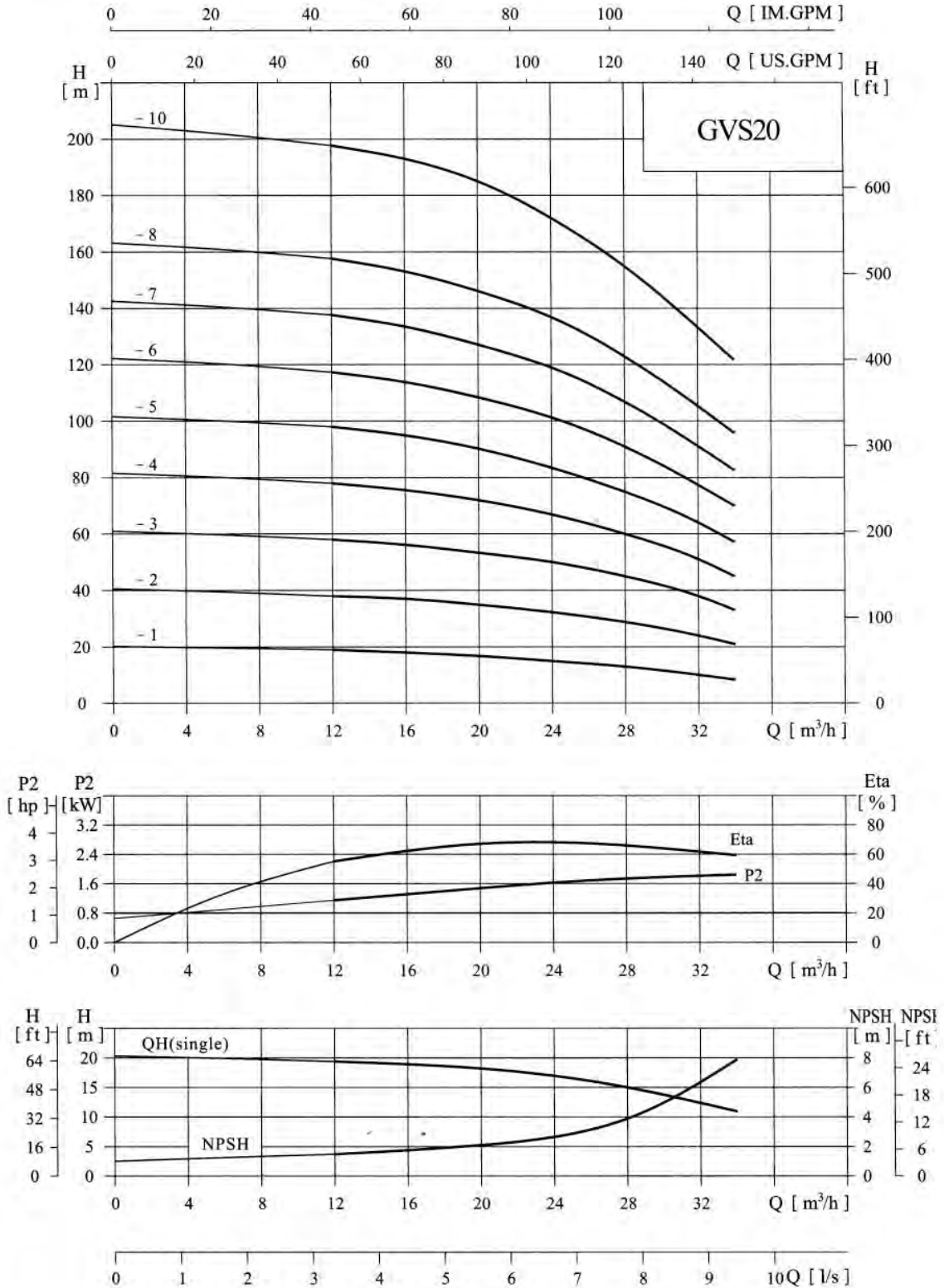
Model	Size (mm)					Weight (kg)
	B1	B2	B1+B2	D1	D2	
GVS16-2/1	397	290	687	190	155	42
GVS 16-2	407	335	742	230	188	52
GVS 16-3	472	430	902	260	208	72
GVS 16-4	517	430	947	260	208	82
GVS 16-5	650	490	1140	330	255	142
GVS 16-6	695	490	1185	330	255	147
GVS 16-7	740	490	1230	330	255	162
GVS 16-8	785	490	1275	330	255	162
GVS 16-10	875	550	1425	330	255	192

The overall dimensions of the single-phase motor and explosion-proof motor are a little changed. Pls contact us for details.

# GVS20, 3500 RPM, 60 Hz

## ● Performance curve

## ISO9906 Annex A

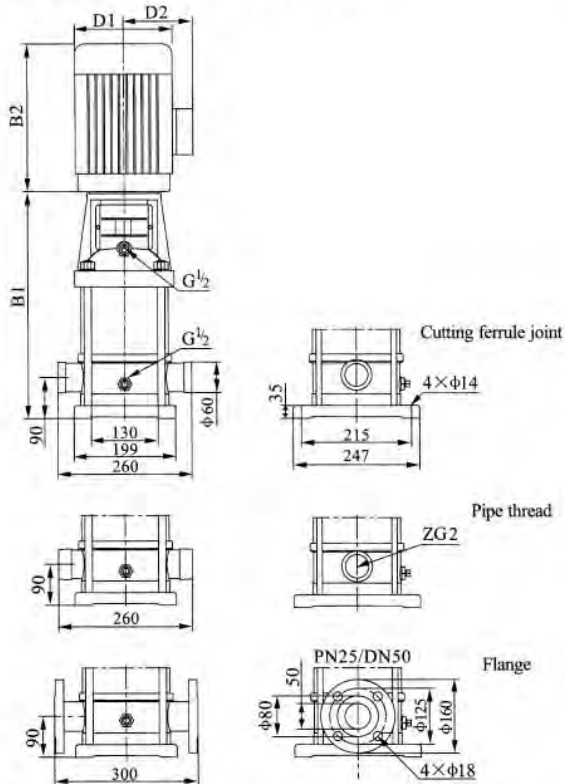


# 3500 RPM, 60 Hz

## ● Performance table

Model	Power (kw)	Q (m <sup>3</sup> /h)	H (m)						
			12	16	20	24	28	32	34
GVS 20-1	2.2		19	18	17	15	13	10	8.5
GVS 20-2	4.0		38	37	35	32	29	24	21
GVS 20-3	5.5		58	56	53	50	45	38	33
GVS 20-4	7.5		78	75	72	67	60	51	45
GVS 20-5	11		98	94	90	85	75	64	57
GVS 20-6	11		118	113	108	102	91	77	70
GVS 20-7	15		138	133	127	119	107	91	83
GVS 20-8	15		158	153	146	137	123	105	96
GVS 20-10	18.5		198	193	185	172	155	133	122

## ● Installation sketch



## ● Size and weight

Model	Size (mm)					Weight (kg)
	B1	B2	B1+B2	D1	D2	
GVS20-1	397	290	687	190	155	43
GVS20-2	407	335	742	230	188	55
GVS 20-3	472	430	902	260	208	70
GVS 20-4	517	430	947	260	208	77
GVS 20-5	650	490	1140	330	255	133
GVS 20-6	695	490	1185	330	255	135
GVS 20-7	740	490	1230	330	255	145
GVS 20-8	785	490	1275	330	255	150
GVS 20-10	875	550	1425	330	255	173

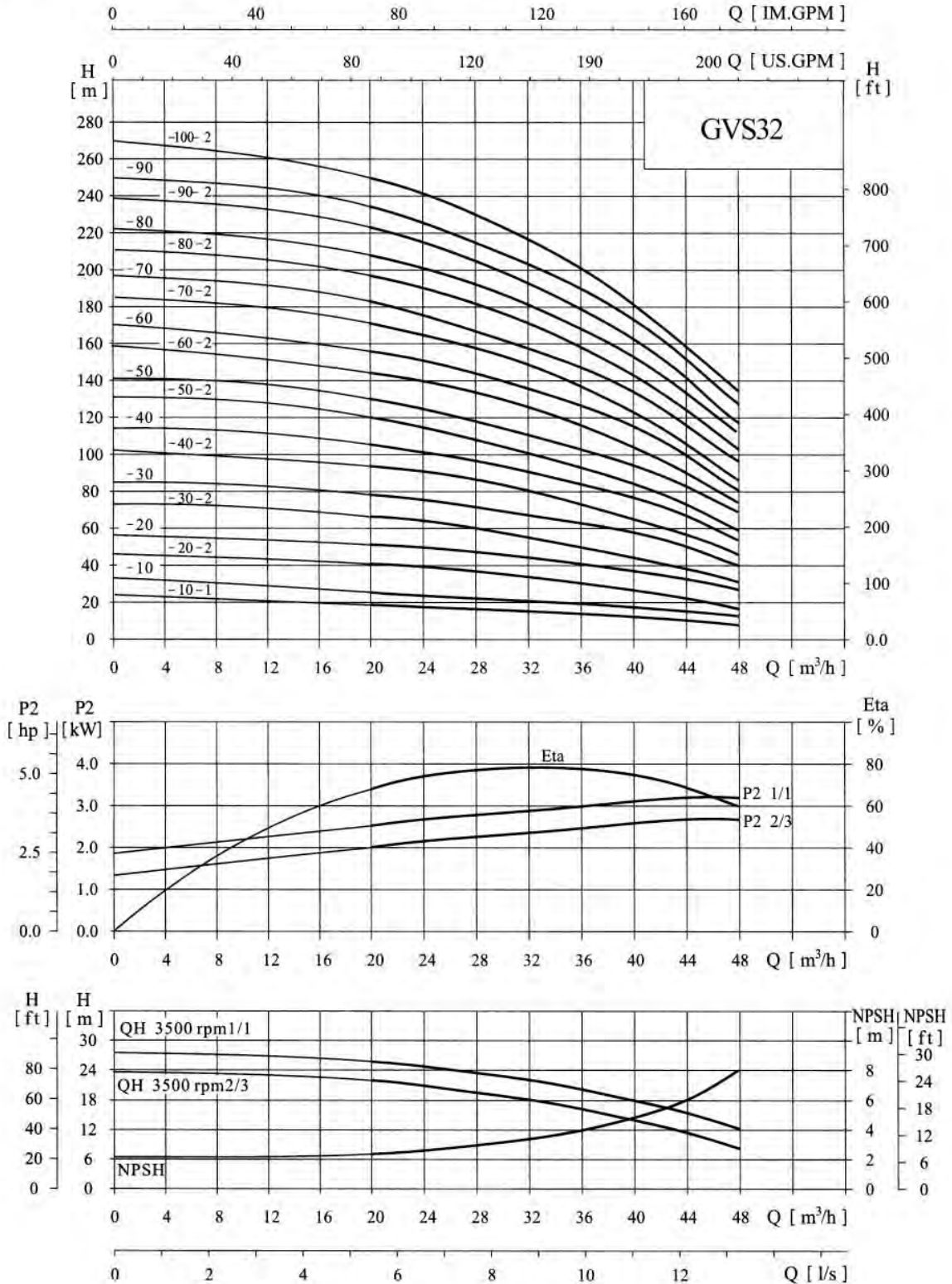
The overall dimensions of the single-phase motor and explosion-proof motor are a little changed. Pls contact us for details.



# GVS32, 3500 RPM, 60 HZ

● Performance curve

ISO9906 Annex A

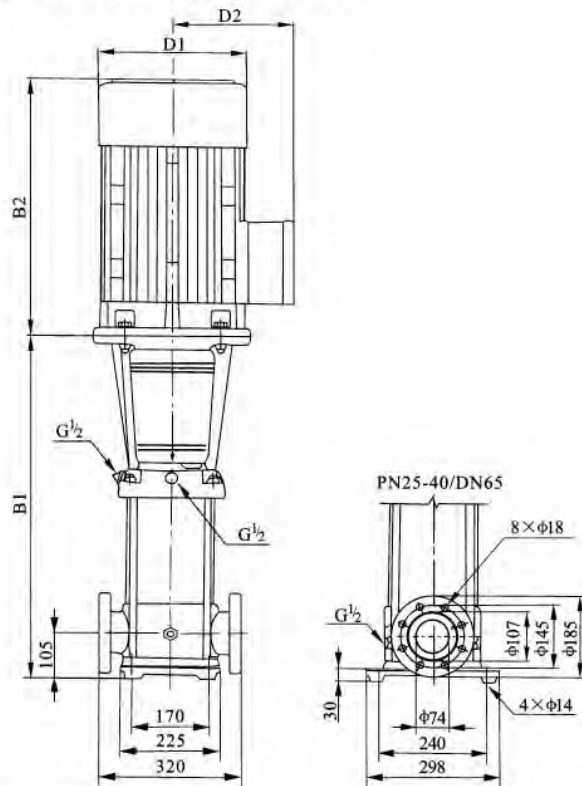


# 3500 RPM, 60 Hz

## ● Performance table

Model	Power (kw)	Q (m <sup>3</sup> /h)	H (m)							
			20	24	28	32	36	40	44	48
GVS 32-10-1	3.0	20	20	19	18	17	15	13	10	7
GVS 32-10	4.0	26	26	25	24	23	21	19	17	14
GVS 32-20-2	5.5	41	41	40	38	35	31	27	22	17
GVS 32-20	7.5	52	52	50	48	45	41	37	33	27
GVS 32-30-2	7.5	67	67	64	61	57	52	46	39	31
GVS 32-30	11	78	78	75	71	67	62	56	50	40
GVS 32-40-2	11	94	94	91	87	81	73	65	56	45
GVS 32-40	15	104	104	101	96	91	83	75	66	55
GVS 32-50-2	15	119	119	115	109	102	94	84	73	59
GVS 32-50	18.5	130	130	125	119	112	104	94	83	69
GVS 32-60-2	18.5	145	145	140	134	126	116	104	90	74
GVS 32-60	18.5	155	155	150	144	136	126	114	100	81
GVS 32-70-2	22	172	172	166	158	149	137	123	106	86
GVS 32-70	22	182	182	176	168	159	148	133	118	97
GVS 32-80-2	22	196	196	190	182	172	159	143	124	102
GVS 32-80	30	208	208	201	192	181	167	152	132	111
GVS 32-90-2	30	223	223	216	206	194	179	162	142	117
GVS 32-90	30	234	234	226	216	204	189	172	152	127
GVS32-100-2	30	248	248	241	231	217	201	181	159	133

## ● Installation sketch



## ● Size and weight

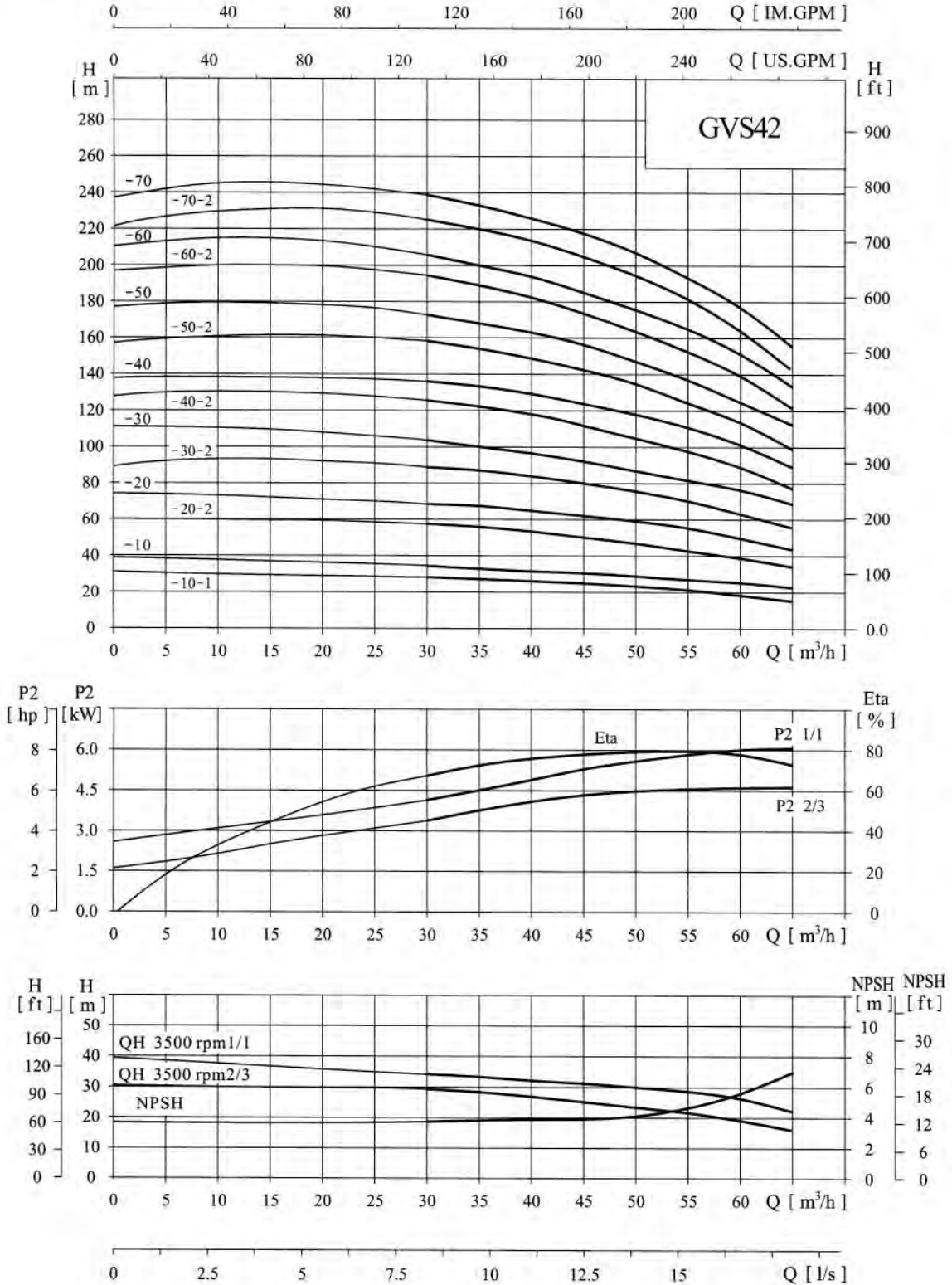
Model	Size (mm)					Weight (kg)
	B1	B2	B1+B2	D1	D2	
GVS 32-10-1	505	315	820	197	165	85
GVS 32-10	505	335	840	230	188	95
GVS 32-20-2	575	430	1005	260	208	105
GVS 32-20	575	430	1005	260	208	115
GVS 32-30-2	645	490	1135	330	255	120
GVS 32-30	750	490	1240	330	255	175
GVS 32-40-2	820	490	1310	330	255	180
GVS 32-40	820	490	1310	330	255	210
GVS 32-50-2	890	490	1380	330	255	220
GVS 32-50	890	550	1440	330	255	240
GVS 32-60-2	960	550	1510	330	255	250
GVS 32-60	960	550	1510	330	255	250
GVS 32-70-2	1030	590	1620	360	285	285
GVS 32-70	1030	590	1620	360	285	285
GVS 32-80-2	1100	590	1690	400	310	290
GVS 32-80	1100	660	1760	400	310	330
GVS 32-90-2	1170	660	1830	400	310	340
GVS 32-90	1170	660	1830	400	310	340
GVS32-100-2	1240	660	1900	400	310	350

The overall dimensions of the single-phase motor and explosion-proof motor are a little changed. Pls contact us for details.

# GVS42, 3500 RPM, 60 Hz

## ● Performance curve

## ISO9906 Annex A

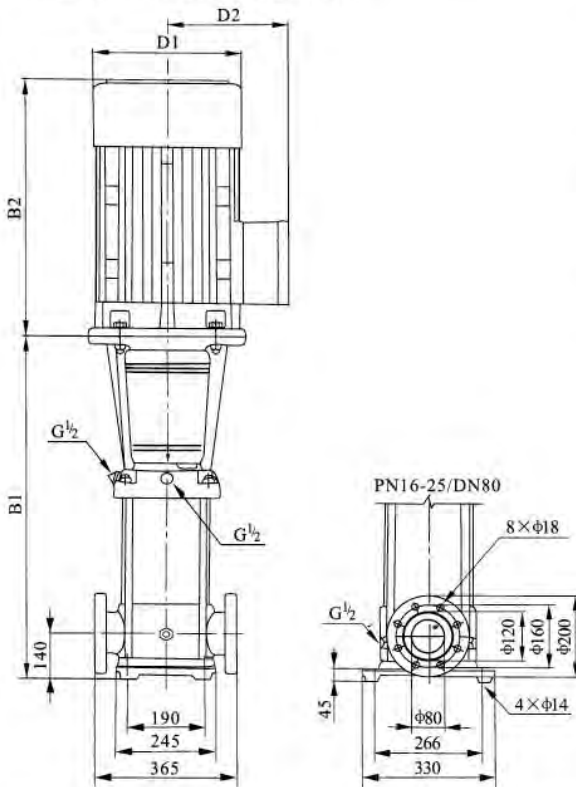


# 3500 RPM, 60 Hz

## ● Performance table

Model	Power (kw)	Q (m <sup>3</sup> /h)	H (m)								
			30	35	40	42	45	50	55	60	65
GVS 42-10-1	5.5	H (m)	29	28	27	26	25	23	21	19	16
GVS 42-10	7.5		34	33	32	31.5	30	29	27	25	22
GVS 42-20-2	11		57	55	53	52	49	46	43	38	33
GVS 42-20	15		69	67	65	63	61	59	55	50	44
GVS 42-30-2	18.5		90	88	85	83	80	75	72	63	55
GVS 42-30	18.5		102	100	97	95	92	88	82	76	68
GVS 42-40-2	22		125	121	118	115	112	105	98	89	78
GVS 42-40	30		136	133	129	126	123	117	112	102	89
GVS 42-50-2	30		159	154	149	146	142	134	121	115	99
GVS 42-50	30		171	166	161	158	154	145	138	126	112
GVS 42-60-2	37		194	188	182	178	173	163	155	139	122
GVS 42-60	37		205	200	193	190	186	176	166	152	134
GVS 42-70-2	45		227	220	213	210	205	193	182	165	144
GVS 42-70	45		239	232	226	221	216	204	194	178	157

## ● Installation sketch



## ● Size and weight

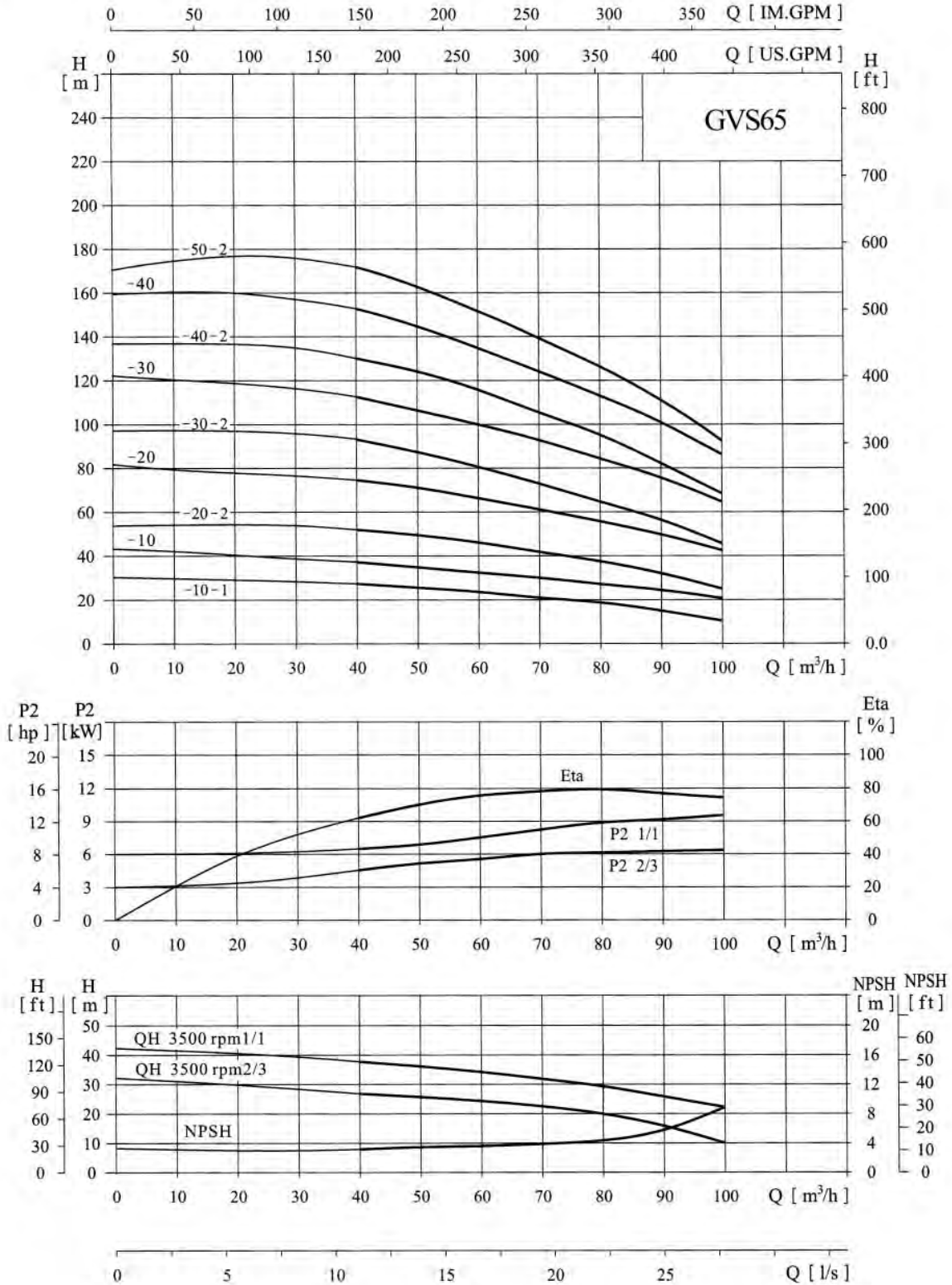
Model	Size (mm)					Weight (kg)
	B1	B2	B1+B2	D1	D2	
GVS42-10-1	561	430	992	260	208	108
GVS 42-10	561	430	992	260	208	113
GVS 42-20-2	748	490	1238	330	255	154
GVS 42-20	748	490	1238	330	255	187
GVS 42-30-2	828	550	1378	330	255	201
GVS 42-30	828	550	1378	330	255	201
GVS 42-40-2	908	590	1498	360	285	258
GVS 42-40	908	660	1568	400	310	336
GVS 42-50-2	988	660	1648	400	310	341
GVS 42-50	988	660	1648	400	310	341
GVS 42-60-2	1068	660	1728	400	310	365
GVS 42-60	1068	660	1728	400	310	365
GVS 42-70-2	1148	700	1848	460	340	435
GVS 42-70	1148	700	1848	460	340	435

The overall dimensions of the single-phase motor and explosion-proof motor are a little changed. Pls contact us for details.

# GVS65, 3500 RPM, 60 Hz

## ● Performance curve

## ISO9906 Annex A

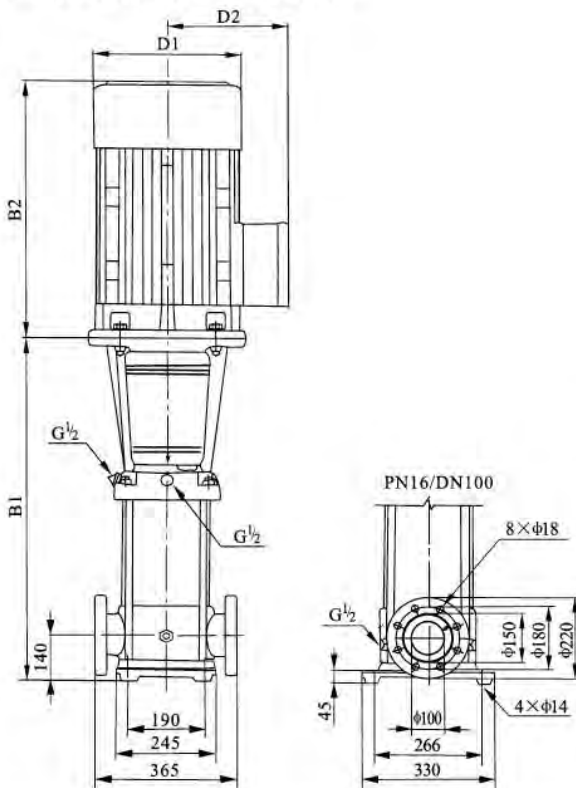


# 3500 RPM, 60 Hz

## ● Performance table

Model	Power (kw)	Q (m <sup>3</sup> /h)	H (m)							
			40	50	60	65	70	80	90	100
GVS 65-10-1	7.5		26	25	23	22	21	18	14	10
GVS 65-10	11		37	35	33	32	31	28	24	21
GVS 65-20-2	15		53	50	47	44	42	37	31	23
GVS 65-20	22		74	72	67	64	62	57	51	42
GVS 65-30-2	22		93	88	80	76	72	65	56	45
GVS 65-30	30		112	108	100	96	93	86	77	65
GVS 65-40-2	37		130	124	115	110	103	94	83	66
GVS 65-40	45		152	144	135	130	123	114	102	86
GVS 65-50-2	45		172	162	151	144	137	126	112	91

## ● Installation sketch



## ● Size and weight

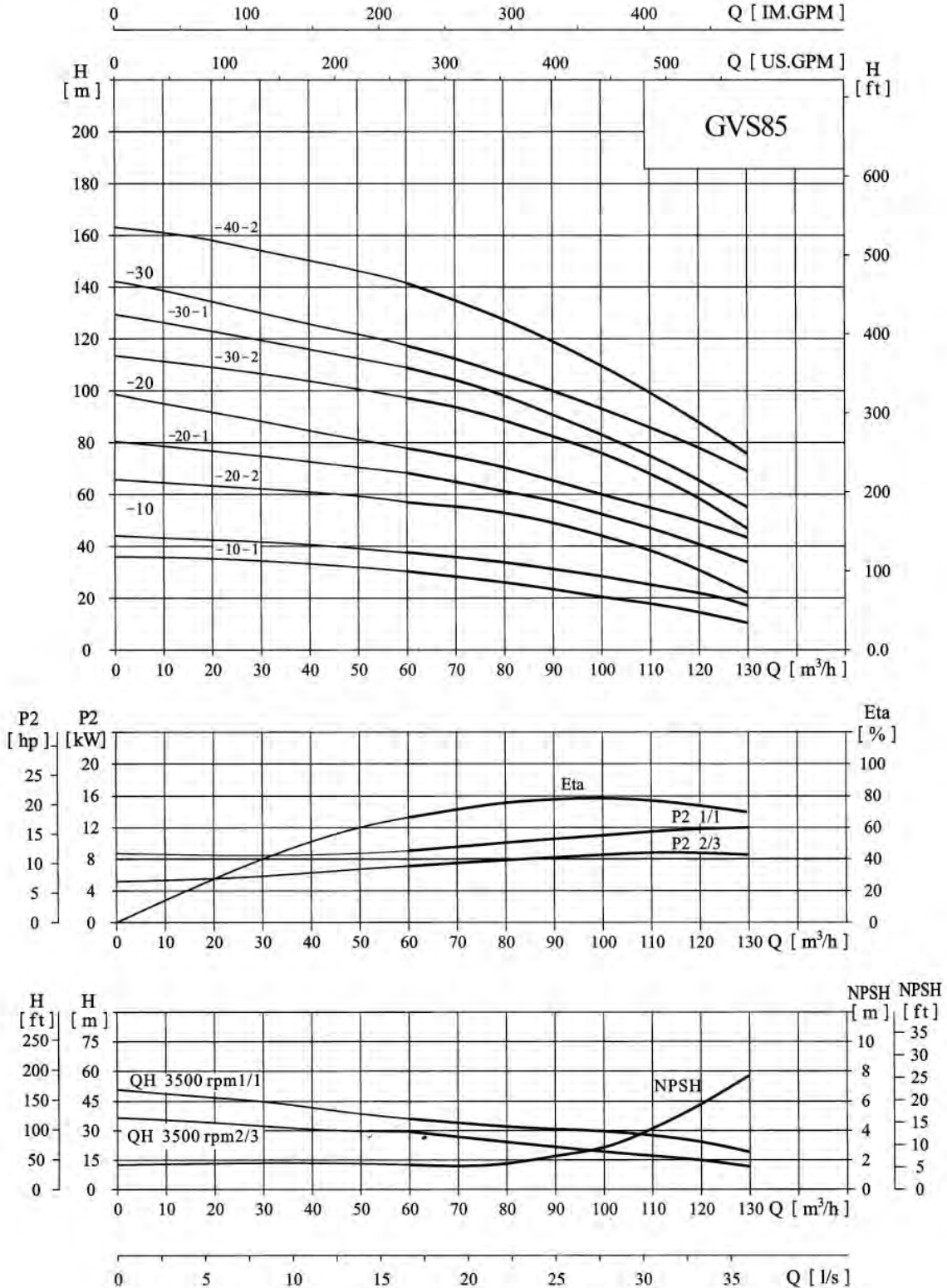
Model	Size (mm)					Weight (kg)
	B1	B2	B1+B2	D1	D2	
GVS 65-10-1	561	430	991	260	208	115
GVS 65-10	671	490	1161	330	255	152
GVS 65-20-2	754	490	1244	330	255	190
GVS 65-20	754	590	1344	360	285	252
GVS 65-30-2	836	590	1426	360	285	257
GVS 65-30	836	660	1496	400	310	335
GVS 65-40-2	919	660	1579	400	310	360
GVS 65-40	919	700	1619	460	340	425
GVS 65-50-2	1001	700	1701	460	340	430

The overall dimensions of the single-phase motor and explosion-proof motor are a little changed. Pls contact us for details.

# GVS85, 3500 RPM, 60 Hz

## ● Performance curve

## ISO9906 Annex A

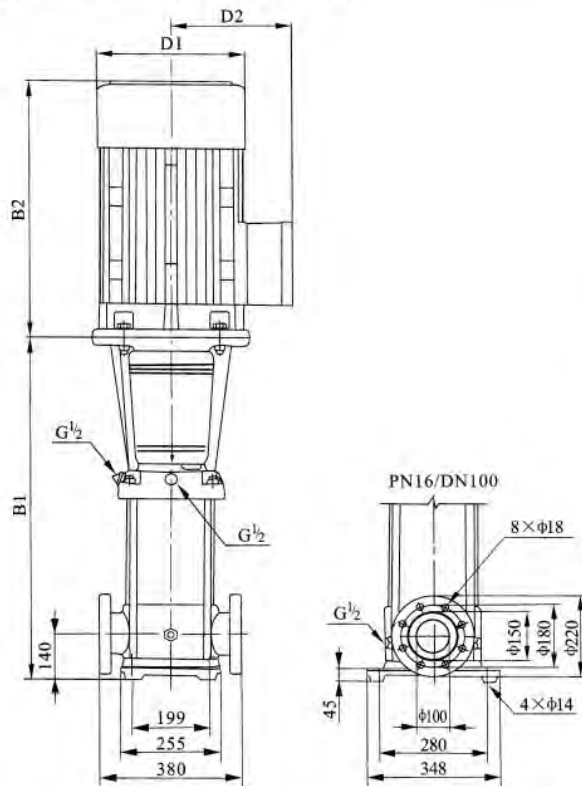


# 3500 RPM, 60 Hz

## ● Performance table

Model	Power (kw)	Q (m <sup>3</sup> /h)	H (m)								
			60	70	80	85	90	100	110	120	100
GVS 85-10-1	11	H (m)	31	27	25	24	23	21	18	14	9
GVS 85-10	15		36	35	33	31	30	29	26	23	18
GVS 85-20-2	18.5		59	57	54	51	48	44	39	32	22
GVS 85-20-1	22		67	65	62	59	57	51	47	41	33
GVS 85-20	30		76	73	69	66	64	60	56	52	44
GVS 85-30-2	37		98	94	88	85	82	75	69	59	46
GVS 85-30-1	37		108	104	98	94	90	83	78	69	56
GVS 85-30	45		116	111	105	102	97	93	88	79	69
GVS 85-40-2	45		141	135	128	124	118	109	102	89	72

## ● Installation sketch



## ● Size and weight

Model	Size (mm)					Weight (kg)
	B1	B2	B1+B2	D1	D2	
GVS85-10-1	571	490	1061	330	255	184
GVS85-10	571	490	1061	330	255	184
GVS 85-20-2	773	550	1323	330	255	264
GVS 85-20-1	773	590	1363	360	285	264
GVS 85-20	773	660	1433	400	310	329
GVS 85-30-2	865	660	1525	400	310	363
GVS 85-30-1	865	660	1525	400	310	363
GVS 85-30	865	700	1565	460	340	363
GVS 85-40-2	957	700	1657	460	340	430

The overall dimensions of the single-phase motor and explosion-proof motor are a little changed. Pls contact us for details.