



شركة المصنع السعودي لأجهزة الإطفاء  
SAUDI FACTORY FOR FIRE EQUIPMENT Co.



# FIRE CABINETS AND ACCESSORIES

## SF300 Series



We are very proud to be a vital part of the development of Saudi Arabia and Middle East since **1983** in fire protection industry.

Rev:03/12-2022

## Cabinet Details

SFFECO Cabinets are manufactured from Mild Steel or Stainless Steel material with a thickness of 0.9mm to 2.0mm which depends on usage or customer request.

Backbox, Door and Frame can be of different thickness and material.

The cabinets are available with all around folded edges without any sharp edges.

Optional Hairline or Mirror finish Stainless Steel cabinets are also available.

Cabinets are painted with Powder Coated for elegant finish and protection from rust.

Operation Instructions are silk screen printed in Arabic and English languages inside the cabinet.

Hose Reels in cabinets are fully equipped with landing valves and nozzles.

Cabinets are available in different size and design to meet architectural requirements.



موديل اس اف ٣٠٠

**Model: SF300**

Cabinet made of Steel

Rubber Hose of 30 meter available in manual or automatic models

Available in different sizes and design to meet architectural requirements

صندوق حريق مصنع من الصاج.

يحتوي الصندوق على خرطوم حريق من النوع المطاطي بقطر 1 بوصة طول ٣٠ متر مع جميع ملحقاته، وهي: محبس ، وقاذف ، وبكرة مع حامل البكرة ، وخرطوم الحريق.

ويمكن تصنيع الصندوق بمواصفات خاصة ليلائم الاحتياجات المعمارية.

ويتوفر هذا الموديل بنوعين العادي والأتوماتيكي.



موديل اس اف ٣٠٠ اس

**Model: SF300S**

Similar to SF300 but in Stainless Steel #304

(Other Stainless Steel types are available upon request.)

Cabinets in stainless steel are available with hairline or mirror finish as per customer request.

صندوق حريق مصنع من الستانلس ستيل ، غير قابل للصدأ.

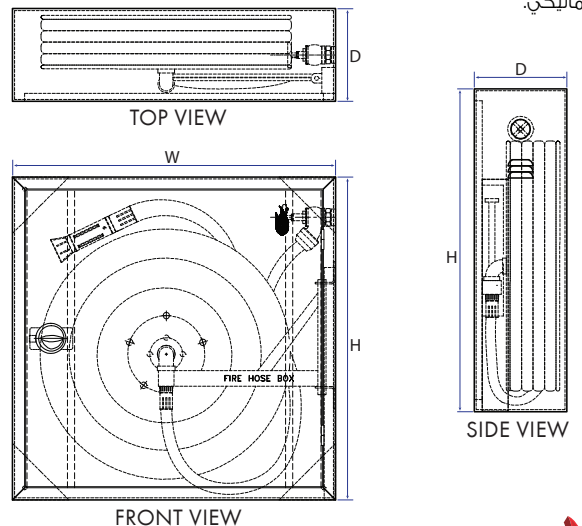
يحتوي الصندوق على خرطوم حريق من النوع المطاطي ، بقياس 1 بوصة طول ٣٠ متر مع جميع ملحقاته، وهي: محبس ، وقاذف ، وبكرة مع حامل البكرة ، وخرطوم الحريق.

يتوفر هذا الموديل بنوعين من الستانلس ستيل ، النوع المحرز (Hairline Finish) أو النوع المصقول (Mirror Finish) ويتم ذلك حسب الطلب.

ويتوفر أيضاً هذا الموديل بنوعين العادي والأتوماتيكي.

MODEL	WIDTH (W)	HEIGHT (H)	DEPTH (D)
SF300	800	800	230
SF300S	800	800	230
SF300A	800	800	250
SF300AS	800	800	250
SF305/20	700	700	200
SF305/30	700	700	250
SF305A	700	700	250
SF305AS	700	700	250
SF300M	700	Front:700 Back: 956	260

All dimensions are in mm.



## Fire Hose Reel



### بكرة خرطوم الحريق المتأرجحة موديل اس اف ٣٠

تقوم سفيكو بتصنيع بكرة الحريق مع الخرطوم في موديلين العادي اس اف ٣٠ والأتوماتيكي اس اف ٣٠ A مزودة بخرطوم مطاطي قياس ابوصة أو ٣/٤ بوصة الخرطوم عادة من اللون الاحمر الا انه يمكن توفير خرطوم من اللون الاسود عند الطلب

وحسب تعليمات الدفاع المدني فإن هذا النوع يستخدم في جميع القطاعات لسهولة استخدامه حيث لا يحتاج الى فريق متدرب ويكفي شخص واحد للتشغيل

Hose reel discs are painted with electrostatic powder coating and oven baked at 180°c to 200°c.

Hose reel drum has formation of hydraulically pressed ribs to give extra strength and to avoid twisting. The outer edges are rolled over to give a safe handling edge on the outer rims and better appearance.

Automatic fire hose reels are available with an internal valve built into the hose reel unit which opens within 3 revolutions of the hose reel as the hose is pulled out and closes when the hose is wound back to the reel.

Hose can be semi rigid made of rubber in red color and optional BS EN694 with two synthetic rubber layers and textile reinforcement. Standard hose size is 25mm.

EN671 Approved hose reels are available upon request.

#### Model:

- SF/30 (Manual)
- SF/30A (Automatic)

#### Approval:

- Standard
- EN671 Approved

### Other Accessories (Valves & Nozzles)



#### Nozzle - Model C: (Brass & Chrome Plated)

Brass & Chrome Plated without handle for 3 way control.  
(Jet - Spray - Shut off)



#### Landing Valve:

- 1"
- 1.5"
- 2.5"

Body is Chrome plated and Hand wheel with Steel, Epoxy coated, WP: 16 bar.



#### Angle Valve:

- 1.5"

1.5" Angle Valve  
UL/FM (Optional)

#### Plastic Nozzle Model A: \*



Plastic Nozzle with 3 way control.  
(Jet - Spray - Shut off)

#### Valve and Nipple: \*



- 1"

Valve or Nipple shall be of 1" ball valve and body made of brass

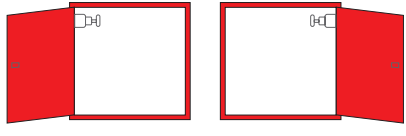


#### Pressure Restricting Angle Valve:

- 1.5"

UL/FM (Optional)

\* EN 671 Approved Hose Reels are provided with  
Plastic Nozzle (Model A) and 1" Ball Valve & Nipple.



Left hand

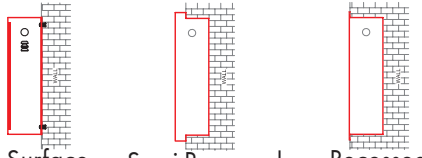
Right hand

**Door Opening Type**

Flat Trim cabinet

Curved Trim cabinet

**Trim**



Surface

Semi-Recessed

Recessed

**Mounting Type**



Standard (S)

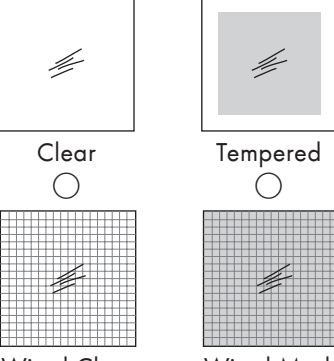
Vertical (V)

Horizontal (H)

Full (G)

Circle (C)

**Door Selection**



Clear

Tempered

Wired Clear

Wired Mesh

**Glass Selection**

**Door, Frame & Backbox in Stainless Steel (Full Stainless Steel)**

Hairline Finish  Mirror Finish

---

**Door, Frame & Backbox in Mild Steel (Full Mild Steel)**

Red Color  \_\_\_\_\_

---

**Backbox in Mild Steel**

Red Color  \_\_\_\_\_

**Door & Frame in Stainless Steel**

Hairline Finish  Mirror Finish

**Cabinet Material & Finish**

**Note:**

---



---



---



---



---



---



---



---

In line with our policy of continuous product improvement, SFFECO reserves the right to modify specifications without prior notice.

**Factory & Head Office - Riyadh**  
2nd Industrial Area, Al-Kharj Road, Riyadh, KSA  
P.O. Box: 58469, Riyadh 11515  
Tel : +966 11 2650070, Fax: +966 11 2652190  
E-mail: riyadh@sffeco.com.sa

**SFFECO Global - Dubai**  
P.O. Box: 261318, JAFZA South, Dubai U.A.E.  
Tel: +971 4 880 9890, Fax: +971 4 880 9822  
E-mail: sales@sffecoglobal.com

**Jeddah Branch**  
P.O. Box: 16769, Jeddah – 21474, KSA  
Tel : +966 12 670 6009, Fax: +966 12 676 0307  
E-mail: jeddah@sffeco.com.sa

**Dammam Branch**  
P.O. Box: 7162, Dammam – 31462, KSA  
Tel : +966 13 8351961, Fax: +966 13 8351968  
E-mail: dammam@sffeco.com.sa

**Madinah Branch**  
Tel : 0148660959, 0148283256, Fax: 0148660969  
E-mail: madinah@sffeco.com.sa



WWW.  
**SFFECO.com**