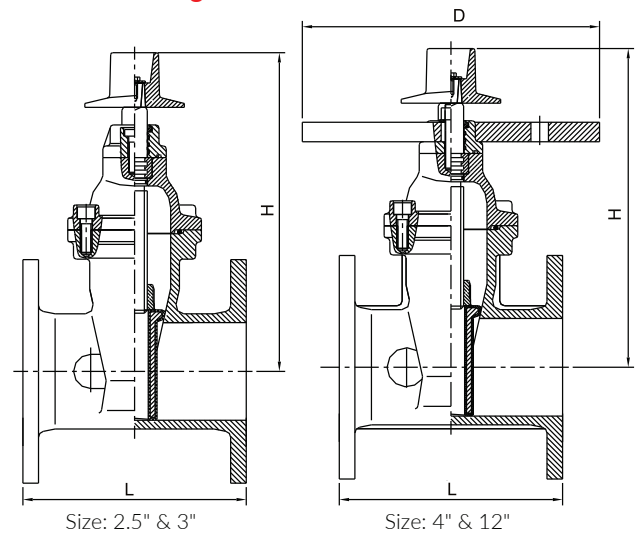
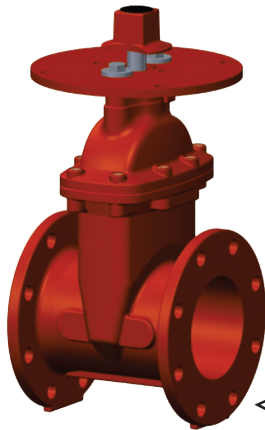


Schematic Drawing



Features

- Complies with AWWA C515 Standard
- 4" to 12" Size provided with indicator post plate, other sizes - plate provided only when specified at time or order
- Triple O-rings stem seal
- NPT plug on body
- Flanges to ANSI B16. 1 Class124 (Other flange type available upon request)
- 300PSI Working pressure
- -10°C to 82°C Working temperature
- Corrosion protection - Fusion bonded epoxy coated interior and exterior to AWWA C550 standard

Material Specification

Part Name	Material	ASTM Spec.
Body	Ductile iron	A536 65-45-12
Wedge	Ductile iron	EPDM Encapsulated
Wedge nut	Bronze	B62 C83600
Stem	Stainless steel	AISI 420
Bonnet	Ductile iron	A536 65-45-12
Gasket	Rubber	EPDM
Packing	Graphite	Commercial
Gland	Ductile iron	A536 65-45-12
Thrust Collar	Brass	C67400
O-ring	Rubber	EPDM
Post flange	Ductile iron	A536 65-45-12
Operating nut	Ductile iron	A536 65-45-12
NPT Plug	Malleable iron	Commercial
Post flange bolt	Stainless steel	AISI 316
Bonnet bolt	Carbon steel	A307 B

Notes:

-Design and material are subject to change without notice.

Dimensions (mm/inch)

Size	2.5"		3"		4"		5"		6"		8"		10"		12"	
	mm	inch	mm	inch	mm	inch	mm	inch	mm	inch	mm	inch	mm	inch	mm	inch
L	190.5	7 ½	203	8	229	9	254	10	267	10 ½	292	11 ½	330	13	356	14
H	270	10 ¾	296	11 ¾	350	13 ¾	410	16 ¾	455	17.91	545	21.46	645	25 ¾	730	28 ¾
D	--	--	--	--	305	12	305	12	305	12	305	12	305	12	305	12
Weight (kg)	20		25		30		42		50		77		120		170	