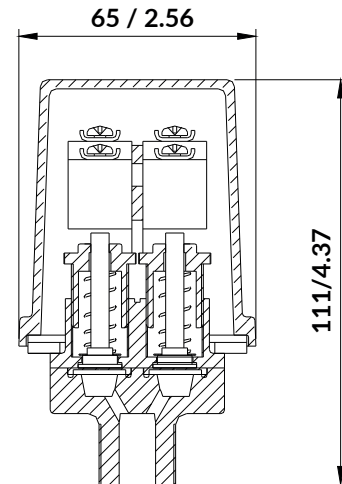
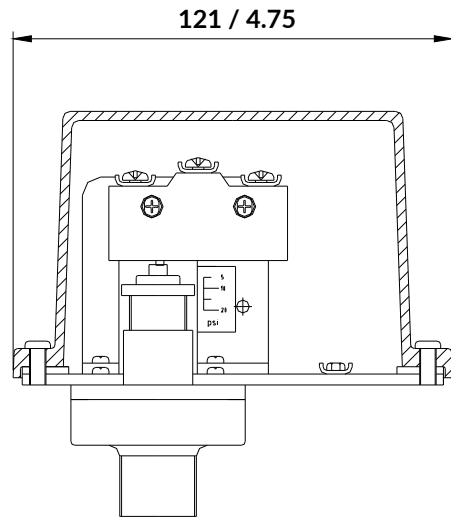


Schematic & Dimensions



Features

Maximum adjustment pressure range	LF-PS10-1 / LF-PS10-2: 4-20psi.
	LF-PS40-1 / LF-PS40-2: 10-100psi.
Factory setting	LF-PS120-1 / LF-PS120-2: 10-200psi.
	LF-PS10-1 / LF-PS10-2: 4-8psi. LF-PS40-1: operates at decreasing pressure at 30psi. LF-PS40-2: operates at increasing pressure at 50psi and decreasing pressure 30psi.
Approximate Differential	LF-PS120-1: operates at decreasing pressure at 110psi. LF-PS120-2: operates at increasing pressure at 130psi and decreasing pressure 110psi.
	LF-PS10-1 / LF-PS10-2: 3psi throughout range. LF-PS40-1 / LF-PS40-2: 3psi @ 10psi & 6psi @ 100psi. LF-PS120-1 / LF-PS120-2: 3psi @ 10psi & 9psi @ 200psi.
Contact Rating	10A @ 125/250VAC, 2.5A @ 30VDC.
IP67	

Diagram

