



شركة المصنع السعودي لأجهزة الإطفاء  
SAUDI FACTORY FOR FIRE EQUIPMENT Co.

Foam System

Deluge System

Hydrant System

Sprinkler System

Hose Reel System

Hose Rack System



**FIRE PUMPS**  
**EXCEL SERIES**



We are very proud to be a vital part of the development of Saudi Arabia and Middle East since **1983** in fire protection industry.



## About us

SFFECO is an ISO9001 certified manufacturing company by BRE Global, is a market leader and specialize in manufacturing of fire-fighting equipment in the world. SFFECO has a long standing established reputation for pioneering innovation ever since its foundation in 1983.

SFFECO has its own state-of-the-art manufacturing plants in Riyadh and Dubai producing end-to-end range of products for the fire fighting industry matching international standards in quality.

SFFECO Reputation for Quality & Reliability has made its trusted name through out G.C.C & other Countries Worldwide for its Products. SFFECO is not only rich in History & Quality, but on continuous improvement, & development of product features.

SFFECO is a member of National Fire Protection Association (NFPA), British Standards Institution (BSI), Fire Protection Association (FPA), as well as Approved Vendor to Many Governmental, & Semi - Governmental Sectors in G.C.C.

SFFECO Vision to develop with Wisdom & Prosper in Harmony, and continue to be the leader in the Fire Protection industry providing excellent service & superior products for many years to come.





# SFFECO Fire Pump System Technology

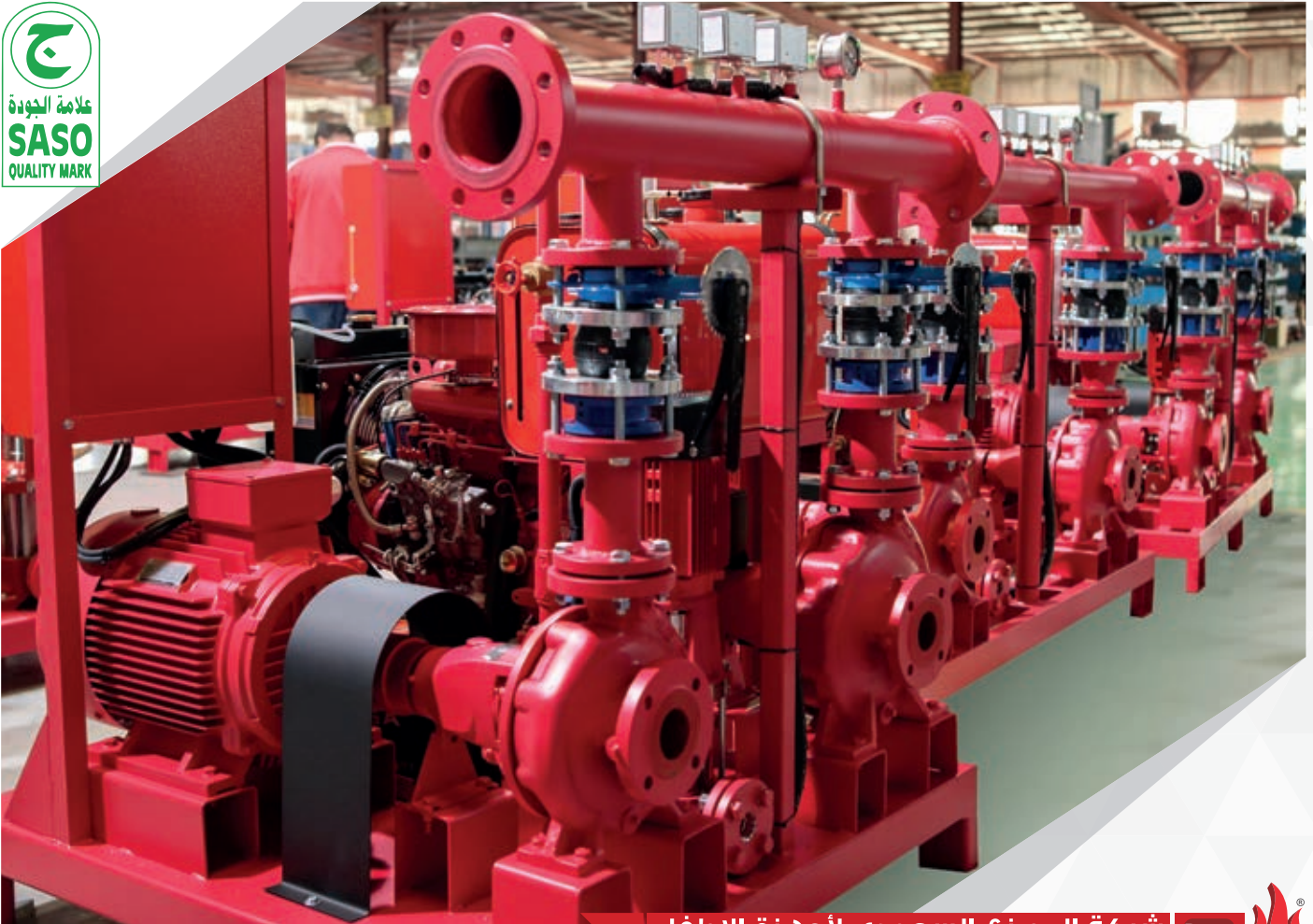
Being Local Specialist Manufacture gives SFFECO the Opportunity and Privilege to Develop an Innovative Pump Assembly Units, and Tailor Pump Packages to clients' specific needs, Moreover SFFECO has assured supplying Pump units comply with Local Authority Requirements, as well as NFPA - 20 Selection and Operation Procedures. SFFECO Excel Series Pumps are SASO Approved.

SFFECO Highly Skilled Team has years Combined Experience in Design, Assembly, and Pump Packages Testing.... Succeeded developing the "Excel SERIES" Pre- Fabricated Fire Pump Skids, where this developed technology assure providing Compact Design Pump Sets, easily to Handle ,Install,& Maintain, where all Pumping Elements, Drivers, Controllers are all skid Mounted, Pre-piped, Wired, & Factory tested .

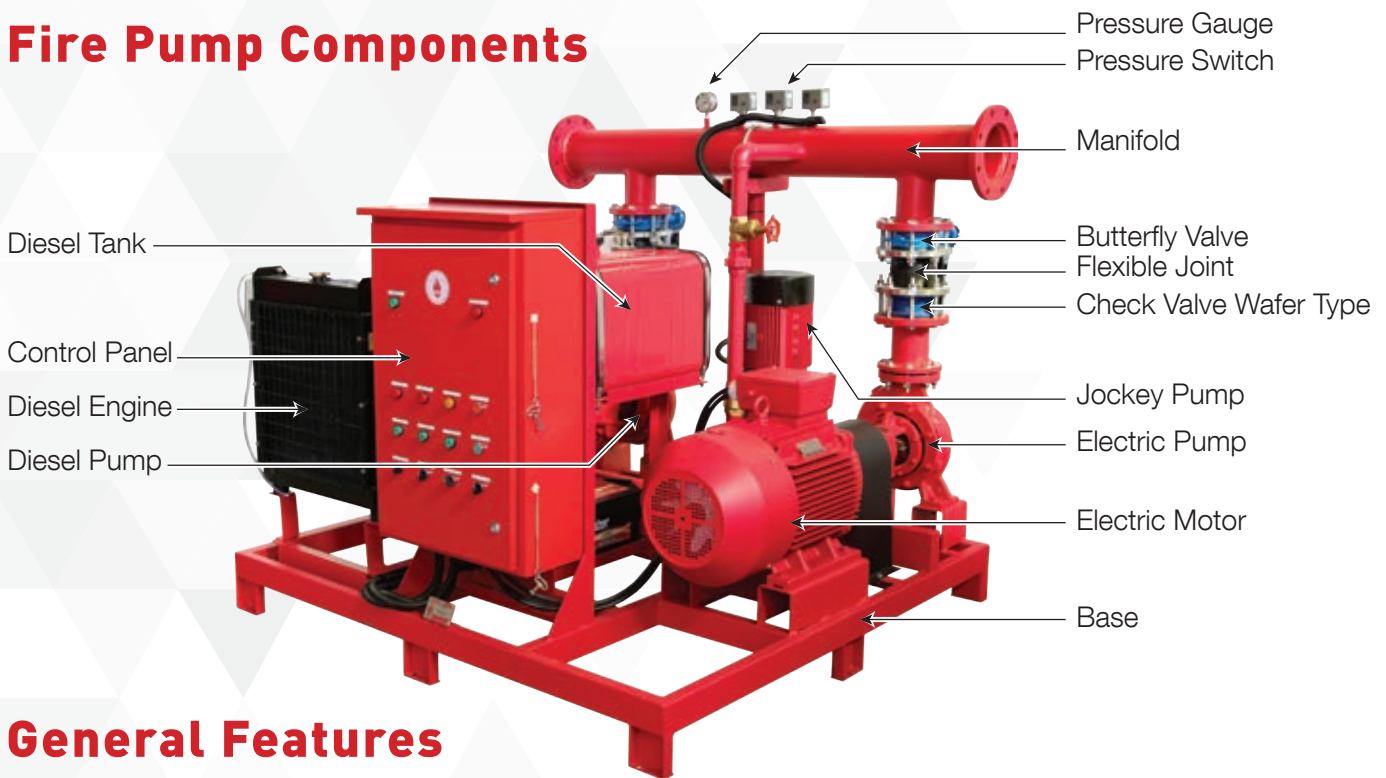
Excel Series Standard Packages included wide variety of Fire Pump Units start from 50 GPM size up to 1500 GPM, with pressure range from 6 bars up to 14 bars. This wide Range of Pumping & Head Characteristics has Made Excel Series suitable in various market sectors such as; Government Buildings, Commercial and Residential Towers, Ware houses, Factories etc.

## Excel Series is the right Choice for most of the Fire Fighting Applications like:

Fire Hose Cabinet Systems, Automatic Sprinkler Systems, Deluge Systems, Fire Hydrant Systems, Foam Systems, etc.



## Fire Pump Components



## General Features

- ❖ Space Saving Design Efficiency:
- ❖ Nothing beat Excel Series packages since allows to fit in to small spaces.
- ❖ Easy to Install & Handle:
- ❖ Available in capacities from 50 GPM up to 1500 GPM and pressure range up to 12 BAR.
- ❖ Pre- fabricated, pre-piped wired, factory tested unit.
- ❖ In compliances with local civil defense requirement & NFPA 20 selection & operation procedure.
- ❖ Pumps coupled with heavy duty trouble free electrical & diesel drivers.
- ❖ Dynamic balanced pumps impellers.
- ❖ Pump set piping is hydrostatically tested to ensure piping integrity.

**The Standard Models of “Excel Series” are EDJ, DJ and EJ.**

Other specifications are also available as per customer request.

“Excel Series” Packages Offers Completed Skid Mounted Unit including High quality Horizontal End Suction / Split Case Pumps / Vertical Turbine Pumps that coupled with Heavy duty (Electrical/ Diesel) drivers that assembled with full discharge line control Gate & Butterfly Check Valves along with flexible joints. Pressure Switches & Gauge fitted on well Supported Header, where all pre-piped, wired, & fabricated in Common Compact Skid is Fully Automatic Operated through latest Design Control Panel.

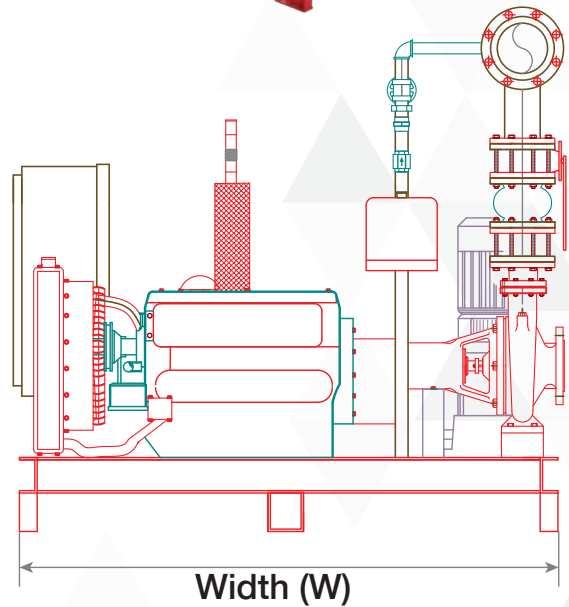
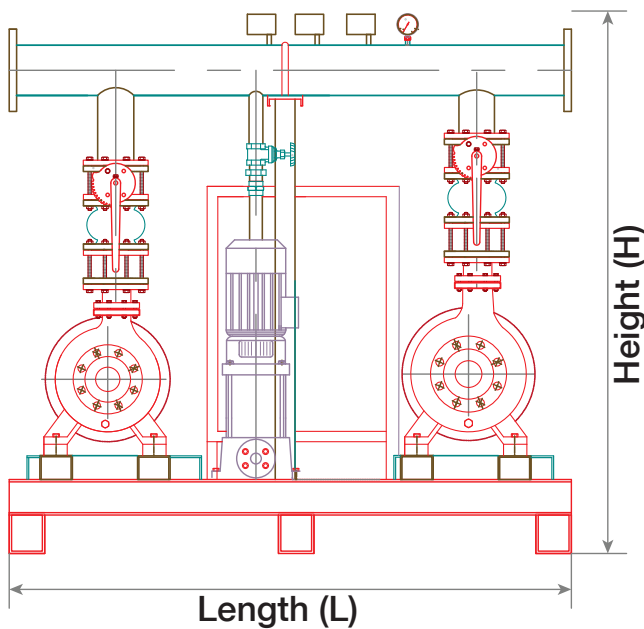
“Excel Series” Innovated design has different Combinations & Models that suite different clients requirements, as well as Hazard application needs.

## Model: EDJ

Electrical + Diesel + Jockey

Consist of Main End Suction Pump driven by Electrical Motor, Stand by End Suction Diesel Pump driven by Diesel Engine, & Vertical multistage (Jockey) (Maintenance) Pump that all are assembled with discharge line accessories, as well as connected with Skid Mounted Control Panel.

### Standard Models:-



## Specifications

(GPM)	W (MM)	H (MM)	L (MM)	DIESEL (HP)	MOTOR (HP)	JOCKEY (HP/GPM)	(KG)	HEADER PIPE
1000 Gpm @ 7 bar	1950	2220	2000	110	100	5.5/50	1575	6"
750 Gpm @ 7 bar	1950	1680	1800	85	75	5.5/35	1350	6"
500 Gpm @ 7 bar	1600	1680	1650	60	50	5.5/25	1160	6"
350 Gpm @ 7 bar	1680	1680	1500	40	40	3/20	1135	4"
250/300 Gpm @ 7 bar	1200	1420	1220	25	30	3/15	800	4"
120/150 Gpm @ 7 bar	1200	1300	1220	15	15	3/10	724	2.5"
50 Gpm @ 7 bar	650	1250	1230	8	5.5	3/10	315	2"

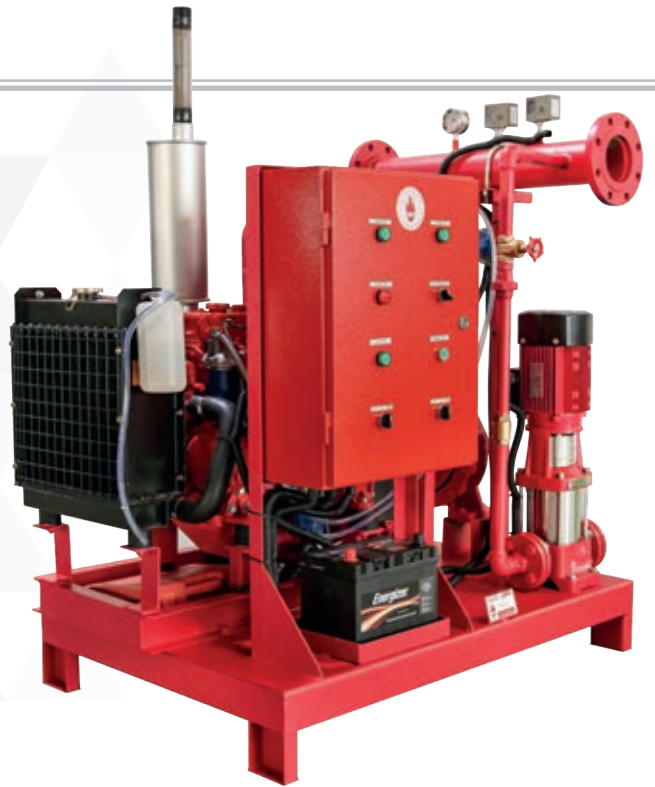
Note: Other models or capacities are also provided as per customer requirement.



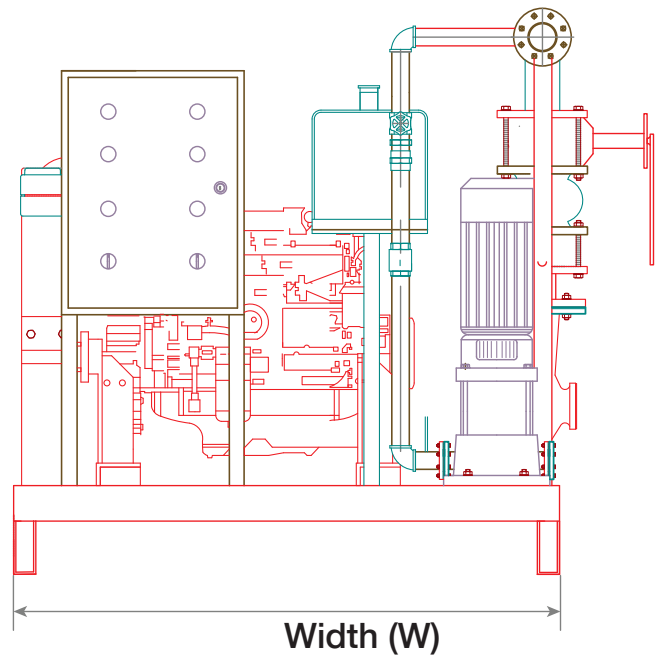
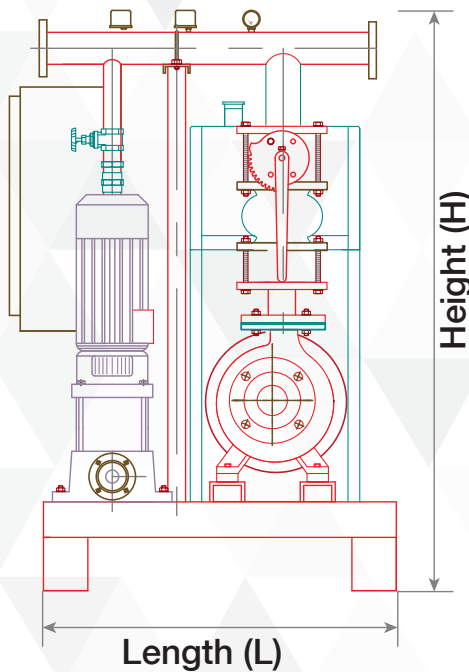
## Model: DJ

### Diesel + Jockey

Consist of Main End Suction Diesel Pump driven by Diesel Engine, & Vertical Multistage Jockey (maintenance) Pump that all are assembled with discharge line accessories, as well as connected with Skid Mounted Control Panel.



### Standard Models:-



## Specifications

(GPM)	W (MM)	H (MM)	L (MM)	DIESEL (HP)	JOCKEY (HP/GPM)	(KG)	HEADER PIPE
750 Gpm @ 7 bar	1100	1760	1850	85	5.5/35	910	6"
500 Gpm @ 7 bar	1000	1670	1650	60	5.5/25	670	6"
250/300 Gpm @ 7 bar	840	1420	1220	25	3/15	520	4"
120/150 Gpm @ 7 bar	840	1280	1220	25	3/10	484	2"
50 Gpm @ 7 bar	700	1230	830	10	3/10	197	1.5"

Note: Other models or capacities are also provided as per customer requirement.

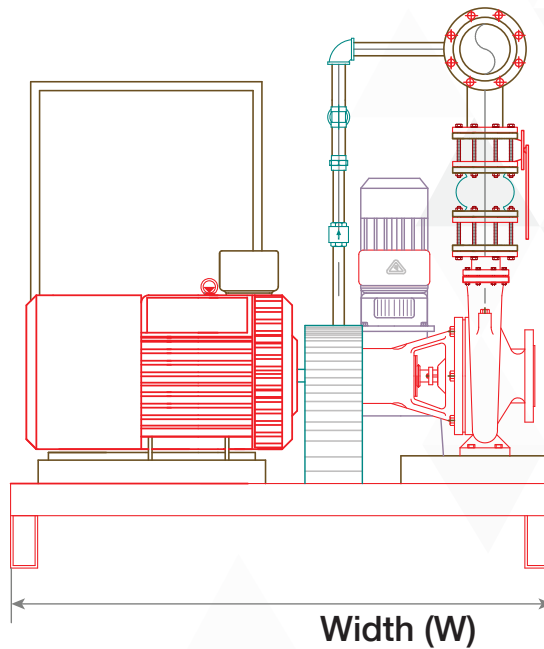
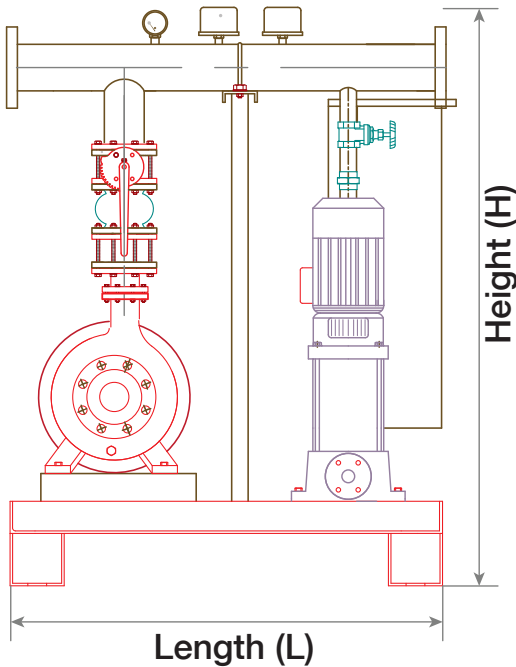
# Model: EJ

## Electrical + Jockey

Consist of Main End Suction Pump driven by Electrical Motor, & Vertical Multistage Jockey (maintenance) Pump that all are assembled with discharge line accessories, as well as connected with Skid Mounted Control Panel.



### Standard Models:-

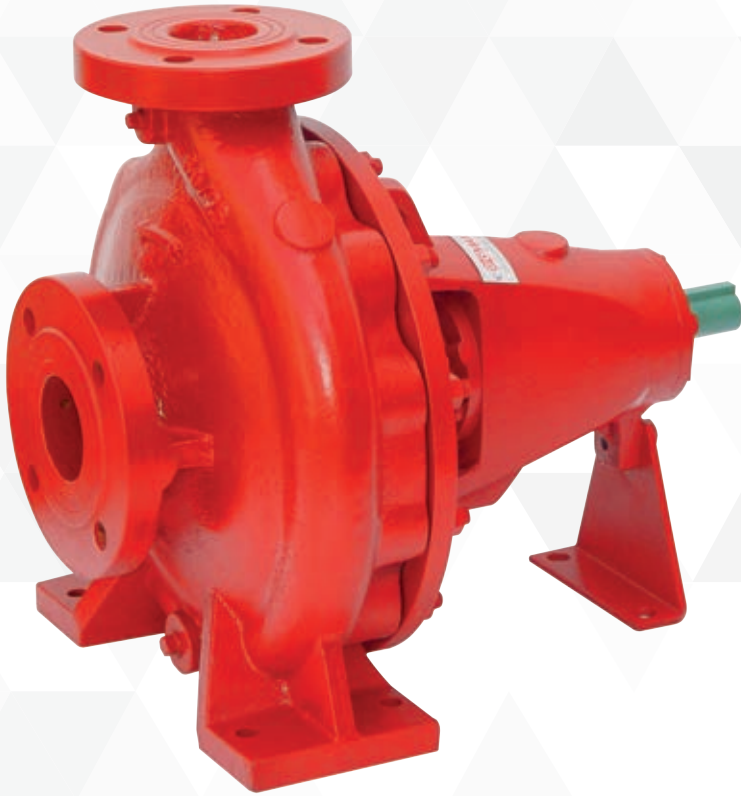


## Specifications

(GPM)	W (MM)	H (MM)	L (MM)	MOTOR (HP)	JOCKEY (HP/GPM)	(KG)	HEADER PIPE
500	900	1660	1450	50	5.5/25	570	6"
250/300	800	1420	1220	30	3/15	420	4"
120/150	800	1250	1220	15	3/10	309	2"
50	700	1230	830	5.5	3/10	175	1.5"

Note: Other models or capacities are also provided as per customer requirement.

## End Suction Centrifugal Pump



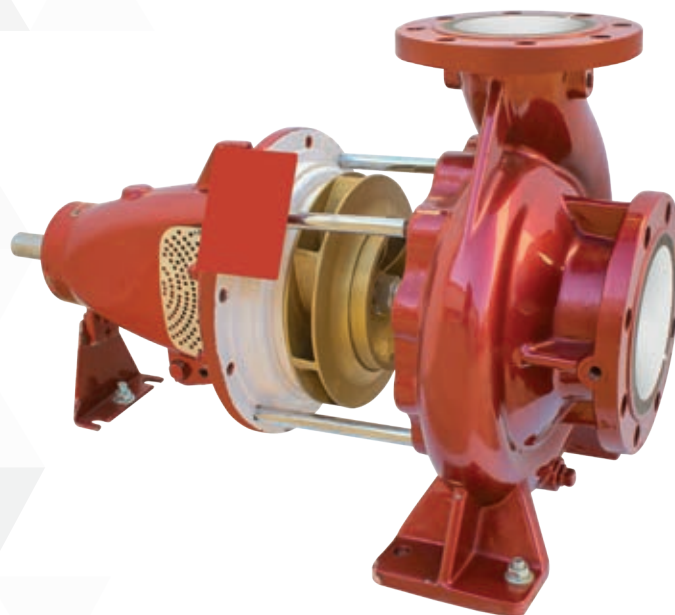
### General

The casing is a heavy duty design. Back pull out design for fast and easy maintenance. Replaceable wear ring to assure optimum efficiency.

Removable and adjustable support foot provides added rigidity and ease of maintenance. Stainless steel shaft sleeve prevents damage to the shaft reduces the maintenance cost. Mechanical seal or soft packing on request.

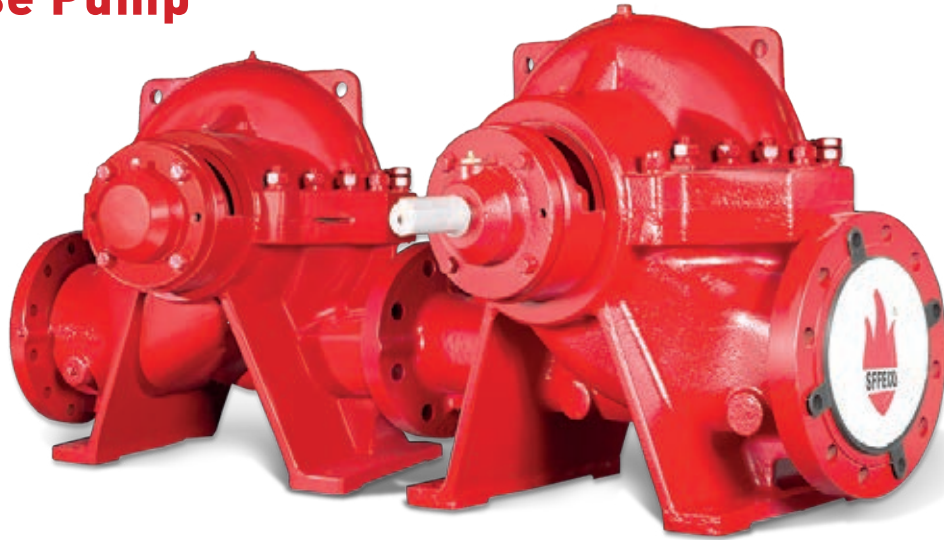
### Features

- ❖ Capacity up to 1500 GPM.
- ❖ Rear pull out design supplied as standard with spacer coupling that allow removal of rotating elements without disturbing piping Connection.
- ❖ Hydraulically balanced Impeller, assure smooth operation& long bearing life limit
- ❖ Available in Electrical motor or Diesel Engine driven configuration.
- ❖ Suitable for Commercial, Residential & Industrial applications.
- ❖ Top centre line discharge with foot supported casing



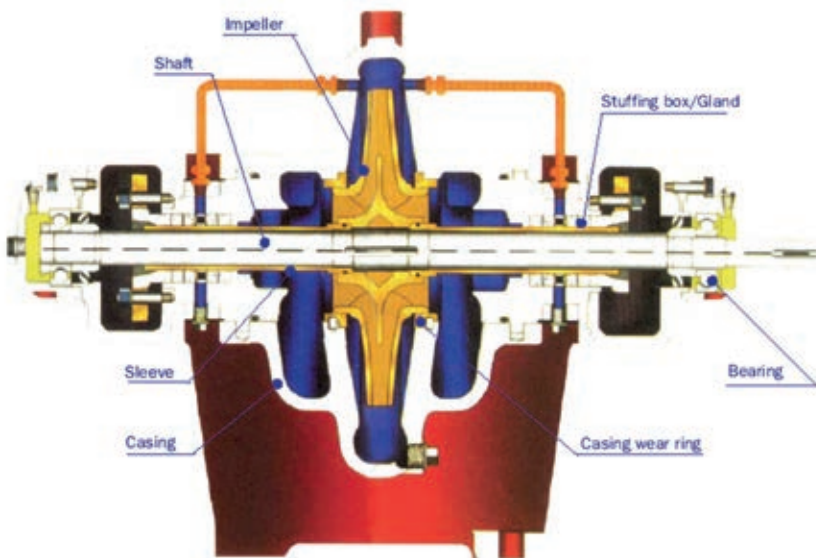


# Split Case Pump



## Specifications

- ❖ Capacity up to 2000 GPM.
- ❖ Split case design for easy maintenance & Upkeep. Due to easy removal of Upper casing & Inner assembly without disturbing piping Including Stuffing boxes, & bearing Housing.
- ❖ Engine configuration available in Electrical Motor or Diesel
- ❖ Suitable for Commercial, Residential and Industrial Applications.
- ❖ Suction & Discharge flanges are on common Horizontal center line.
- ❖ High Quality Cast iron Casing with Bronze wearing ring.
- ❖ Bronze Impeller
- ❖ Grease lubrication ball bearing provide L-10 rating
- ❖ Double suction type impeller offers low Pulsation.
- ❖ Removable drip pocket with tapped drain Outlet stuffing box.



## Vertical Multistage Stainless Steel Centrifugal Pump

### General

Close coupled vertical multistage pump with all stainless steel parts which are driven by a standard TEFC motor, discharge and suction in the same line.

Aluminum casing, single phase motor. Class F and IP55 are standard supply.

Standard supply for liquid temperature upto 90°C, high temperature pump are available on request. Mechanical seal is Tungsten Carbide / Graphite.

All the parts in contact with liquid are made of 304 Stainless Steel, The suction and discharge head can be made of cast iron on request.



### Specifications

Parts	Material
Pump Head	Cast Iron EN-GJL-200
Pump Head Cover	Stainless Steel 304
Shaft	Stainless Steel 304
Base	Stainless Steel 304
Shaft Seal	Mechanical
Base Plate	Cast Iron EN-GJL-200
Rubber Parts	EDPM or FKM
Impeller	Stainless Steel 304
Chamber	Stainless Steel 304
Outer Sleeve	Stainless Steel 304
O-ring for Outer Sleeve	EDPM or FKM

**Note: Stainless Steel on Request**



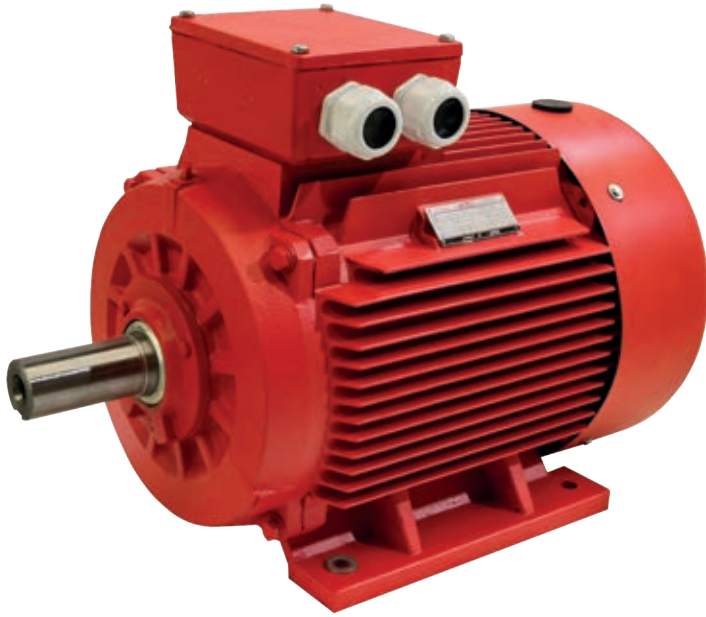
## Electric Motor

Hitec multipurpose motors are the ideal choice for installation in arduous environmental conditions. The range offers a variety of induction motors with a power rating of 0.09kW (0.12HP) to high powered motors providing 160kW (220HP). Class F and IP55 are standard supply. Motors for other voltages, frequencies, specifications and non-standard features are available on request.

Hitec motor series are highly engineered to cope up with sudden load increases, longer thermal life, higher altitudes and voltage variants. All the motors are manufactured under strict quality control procedures and are fully tested against the applicable standards.

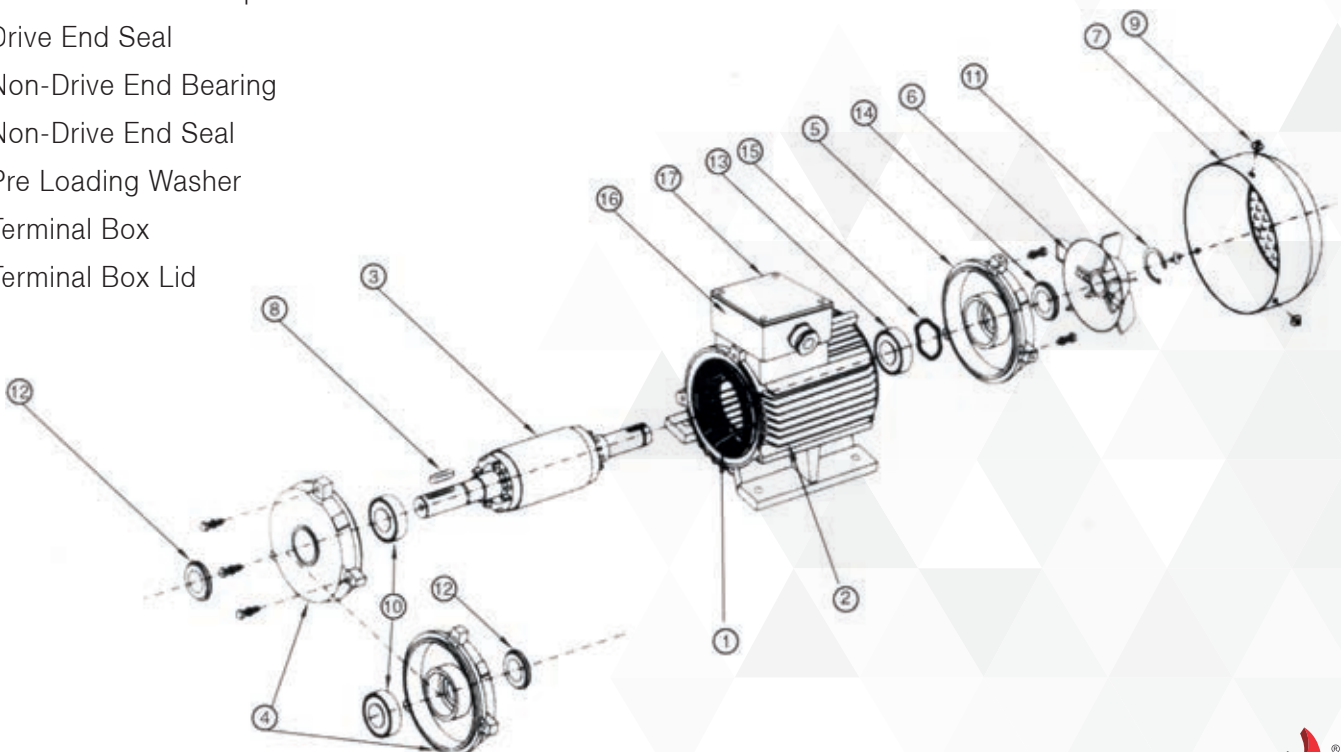
Hitec uses integrated design management techniques for enhancing the efficiency and durability of its products. Reliability, integrity, simplicity in design and ease of maintenance, all endorse the product as a world leader in electric motors.

Hitec motors can handle load and continue working reliability for long hours. The balanced design and the precision of the motor ensure superb performance.



### Parts:

1. Wound Stator
2. Housing
3. Rotor
4. Drive End Shield
5. Fan
6. Fan Cover
7. Key
8. Fan Cover Screw
9. Drive End Bearing
10. Non-Drive End Circlip
11. Drive End Seal
12. Non-Drive End Bearing
13. Non-Drive End Seal
14. Pre Loading Washer
15. Terminal Box
16. Terminal Box Lid





## Basic Engine Components

- ❖ Flywheel Housing S.A.E
- ❖ Fly Wheel
- ❖ Fire Resistant Fuel Pipes
- ❖ Rigid Mounts
- ❖ Fresh Water Circulating Pump
- ❖ Thermostat
- ❖ Fuel Pump Governor Rating 4.5% Rating
- ❖ Fuel Lift Pump
- ❖ Full Flow Fuel Filters
- ❖ Full Flow Lub. Oil Filters
- ❖ Exhaust manifold - Dry Type
- ❖ Exhaust Manifold Adaptor

## Diesel Engine



## General

MegaForce Diesel Engines are specially tailored to meet the customer's specification and optimum performance, thus guaranteeing the product best suited to the application.

Engine Fuel Systems calibrated to specific power and speed requirements, ensure MegaForce Diesel Engines for maximum efficiency.

MegaForce Diesel Engines have long periods of idleness, coupled to routine testing at maximum speed and at times with no load, necessitates a power unit of exceptional qualities. The range offers from small cylinder engine giving an output of 19kW @ 2900 rpm to a high powered configured engine of 400kW. All power units are manufactured to comply with strict control procedures (ISO 9001) and fully tested against the applicable standards in line with client requirements.

Model	Rating kW (HP)	RPM	Configuration	Bores x Stroke (mm)	Diameter (mm)	Length (mm)	Width (mm)	Height (mm)
MFS 25	19 (25)	3000	3 Cylinder /4 Stroke / Inline	80 x 90	42	600	515	608
MFS 40	30 (40)	2900	4 Cylinder /4 Stroke / Inline	85 x 95	48	735	515	645
MFS 60	45 (60)	3000	4 Cylinder /4 Stroke / Inline	95 x 100	48	735	515	650
MFS 85	63 (85)	3000	4 Cylinder /4 Stroke / Inline	102 x 118	60	810	695	780
MFS 110	82 (110)	3000	4 Cylinder /4 Stroke / Inline	113 x 125	60	920	595	800
MFS 130	97 (130)	3000	6 Cylinder /4 Stroke / Inline	113 x 120	60	1280	700	985
MFS 150	112 (150)	3000	6 Cylinder /4 Stroke / Inline	115 x 125	60	1280	700	985
MFS 180	134 (180)	3000	6 Cylinder /4 Stroke / Inline	115 x 125	60	1280	700	995
MFS 220	164 (220)	3000	6 Cylinder/4 Stroke/ Inline T	126 x 130	70	1520	950	1180
MFS 270	201 (270)	3000	6 Cylinder/4 Stroke/ Inline T	126 x 130	70	1520	950	1180
MFS 300	224 (300)	3000	6 Cylinder/4 Stroke/ Inline T	126 x 140	70	1520	950	1180
MFS 320	239 (320)	3000	6 Cylinder/4 Stroke/ Inline T	126 x 140	70	1520	950	1180
MFS 350	261 (350)	2900	6 Cylinder/4 Stroke/ Inline T	126 x 140	70	1520	950	1180
MFS 375	280 (375)	2900	6 Cylinder/4 Stroke/ Inline T	126 x 155	70	1520	950	1200
MFS 425	317 (425)	2900	6 Cylinder/4 Stroke/ Inline T	135 x 169	100	1497	904	1233
MFS 475	354 (475)	2900	6 Cylinder/4 Stroke/ Inline T	135 x 169	100	1497	904	1233
MFS 536	400 (536)	2900	6 Cylinder/4 Stroke/ Inline T	135 x 169	100	1497	904	1233

**Diesel Engines of high capacities is available as per requirement.**



## Fire Pump Controllers

“Excel Series” Fire Pump Unit Controller is the Pump Package brain that designed to Control & Monitor the operation of the Main, Standby, and Jockey pumps Drivers, and makes up pumps for both Manual & Automatic modes, as well as turns pumps drivers ON/OFF under specific conditions.

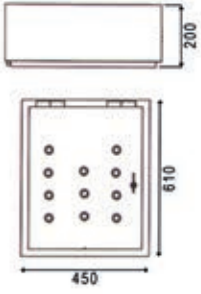
The Fire Pump Package Controller detects signals through set of built in switches that reflect the system Pressure & Flow status enabling fire pump package drivers (Electrical /Diesel /Jockey) to operate in case of pressure in the system is lower than set point, as well as operating the Stand by driver due to power failure and/or substantial drop in pressure.

SFPECO's Excel Series Controllers are pre-wired, and factory tested before shipment and made ready for immediate usage.

### Features

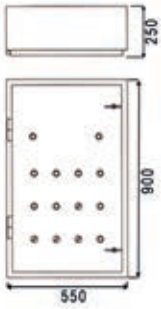
- ❖ Standard Dry Run Protection.
  - ❖ DOL – Star Delta Starter Circuit available up on request.
  - ❖ Different Mounting Styles.
  - ❖ IP standard Available up on request (Optional).
  - ❖ Low Maintenance Cost and available spare parts.
  - ❖ Standard cable marking for easy maintenance.
  - ❖ Low Pressure cut-off (timer based) (optional).
  - ❖ Automatic or manual (test) operation.
  - ❖ Compatible with any monitoring systems like BMS OR FACP (Optional).
  - ❖ Electronic battery charger (current sensing).
  - ❖ Lamp test facility (optional).
  - ❖ Fault Trip facility (other than dry run - optional).
  - ❖ Crank protection circuit for diesel engine (optional).
  - ❖ Delayed start for fire signal (optional).
  - ❖ Strong, Reliable and Elegant Standard Red Powder Coated Enclosure.
- Stainless Steel Enclosures are available for out door applications (Optional).





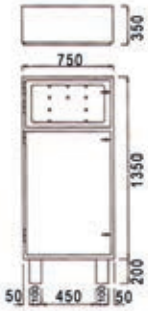
## Model A

- ❖ Wall & Base mounted arrangement.
- ❖ Standard up to 250 GPM Skid size.
- ❖ Standard as common panel for Electrical, Diesel & Jockey drivers.
- ❖ Seperate arrangement is available up on request.



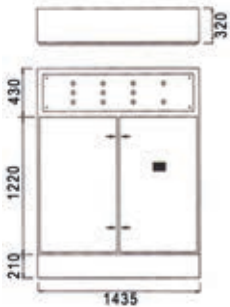
## Model B

- ❖ Wall & Base mounted arrangement.
- ❖ Standard up to 750 GPM Skid size.
- ❖ Standard as common panel for Electrical, Diesel & Jockey drivers.
- ❖ Seperate arrangement is available up on request.



## Model C

- ❖ Standard self standing arrangement.
- ❖ Standard up to 1500 GPM (Star Delta) Skid size.
- ❖ Standard as common panel for Electrical, Diesel & Jockey drivers.
- ❖ Seperate arrangement is available up on request.



## Model D (Optional)

- ❖ Standard self standing arrangement.
- ❖ Standard as common panel for Electrical, Diesel & Jockey drivers.
- ❖ Seperate arrangement is not available.

شركة المصنع السعودي لأجهزة الإطفاء  
SAUDI FACTORY FOR FIRE EQUIPMENT Co.



FIRE HOSE REEL



FIRE HOSE



PUMPS



BLADDER TANKS



FIRE CABINETS



DIESEL TANK



SFFECO KITCHENHOOD SYSTEM



SFFECO-227 HFC-227ea CLEAN AGENT FIRE SUPPRESSION SYSTEM



CO2 SYSTEM



SFFECO FK5112 CLEAN AGENT FIRE SUPPRESSION SYSTEM



TROLLEY / MODULAR EXTINGUISHERS



FIRE DOORS AND FRAMES



THERMO-ACT SYSTEM



PORTABLE EXTINGUISHERS



FOAM CONCENTRATES



HYDRANTS

In line with our policy of continuous product improvement, SFFECO reserves the right to modify specifications without prior notice.



WWW.SFFECO.com

Ver: 04 - 12/2021

**FACTORY & HEAD OFFICE - RIYADH**

2nd Industrial Area, Al-Kharj Road, Riyadh, KSA, P.O. Box: 58469, Riyadh 11515  
Tel : +966 11 2650070, Fax: +966 11 2652190, E-mail: riyadh@sffeco.com.sa

**SFFECO GLOBAL - DUBAI**

P.O. Box: 261318, JAFZA South, Dubai U.A.E.  
Tel: +971 4 880 9890, Fax: +971 4 880 9822, E-mail: sales@sffecoglobal.com

**JEDDAH BRANCH**

P.O. Box: 16769, Jeddah – 21474, KSA  
Tel : +966 12 670 6009,  
Fax: +966 12 676 0307  
E-mail: jeddah@sffeco.com.sa

**DAMMAM BRANCH**

P.O. Box: 7162, Dammam – 31462, KSA  
Tel : +966 13 8351961,  
Fax: +966 13 8351968  
E-mail: dammam@sffeco.com.sa

**MADINAH BRANCH**

Tel : 0148660959, 0148283256,  
Fax: 0148660969  
E-mail: madinah@sffeco.com.sa