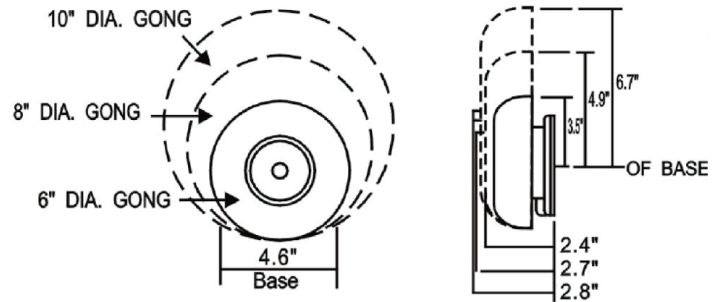


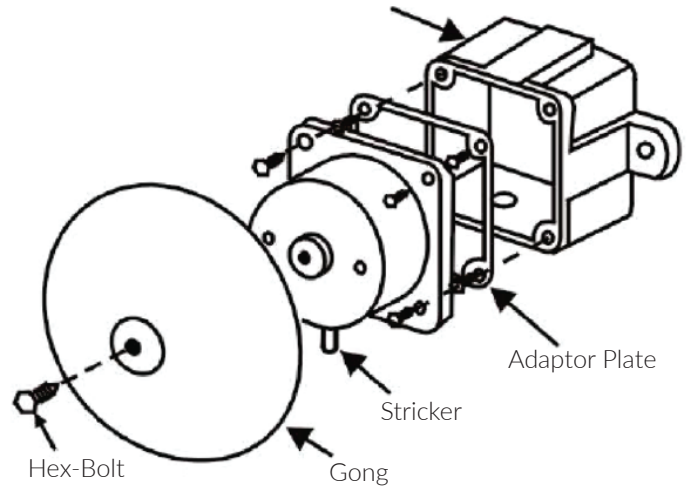


Dimension Details



Exploded View

Waterproof back box for outdoor use (optional)



Features

- Microprocessor based design
- High dBA Sounds Output
- Low power consumption
- Available in 6", 8" 10" Housing
- Quickly and Easily installed

Installation Instruction

- Remove bell gong by loosening hex bolt.
- Wire bell in circuit.(Notice Polarity)
- Mount bell mechanism on 4" square standard outlet box with the striker facing down.
- Replace the gong and tighten hex bolt.
- The bell must be mounted a minimum of 8ft above the floor, or as close to the ceiling as possible.
- Polarized bell provides Red(-) and Black(-) lead wires. When you install the bell, must observe the polarity.

Technical Specifications

	LFB16	LFB18	LFB110
Gong size	6"	8"	10"
Voltage	24VDC	24VDC	24VDC
Current	20mA	20mA	20mA
Sound level	95dB@10ft	83dB@10ft	85dB@10ft



*Backbox for outdoor use only.