



## Grooved Resilient Seated OS&Y Gate Valve

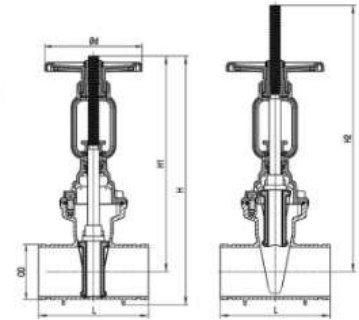
### VIG VF0118



Name of parts	Material
Body	Ductile iron
Wedge	Ductile iron+EPDM
Stem nut	Bronze
Stem	SS431 or SS304,SS316,bronze
Bonnet	Ductile iron
Bonnet Gasket	EPDM
Sealing Ring	EPDM
Yoke	Ductile iron
Sliding disc	Bronze
Screw	Carbon steel with hot galvanization
O-rings	EPDM
Handwheel	Ductile iron

#### Technical data >

- Size: DN50~DN200
- Working pressure: Up to PN25, 362psi
- Grooved standard: AWWA C606
- Temperature range: 0~80°C



Dimensions		Pressure rating	Size(mm)					
DN	inch		psi	OD	L	H1	H2	H
50	2	362	60.3	178	358.5	420.5	403.5	203
65	2.5	362	73	190	359.5	429.5	411	203
			76.1					
80	3	362	88.9	203	378	462	437.5	203
100	4	362	114.3	229	449.5	553	518.5	203
125	5	362	139.7	254	549.5	677	631	300
			141.3					
150	6	362	165.1	267	591.5	747	686	300
			168.3					
200	8	362	219.1	292	735.5	938	865	330



## Flanged Resilient Seated NRS Gate Valve

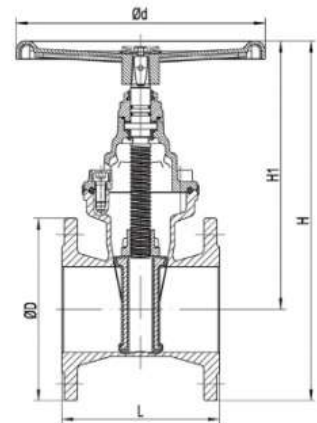
**VIG VF0211-03**



Name of parts	Material
Body	Ductile iron
Wedge	Ductile iron+EPDM
Stem nut	Bronze
Stem	SS431 or SS304,SS316,bronze
Bonnet	Ductile iron
Bonnet Gasket	EPDM
Sealing Ring	EPDM
Upper cover	Ductile iron
Sliding disc	Bronze
Screw	Carbon steel with hot galvanization
O-rings	EPDM
Handwheel	Ductile iron

### Technical data >

- Size: 2" ~ 12"
- Working pressure:175psi,300psi
- Flange standard:ASME-B16.1 Class125
- Temperature range:0 ~ 80°C



Dimensions		Pressure rating	Size(mm)				
DN	inch		psi	ΦD	L	H1	H
50	2	175	152	178	256	332	203
		300					
65	2.5	175	178	190	256	345	203
		300					
80	3	175	191	203	273.5	369	203
		300					
100	4	175	229	229	323.5	438	300
		300					
125	5	175	254	254	376	503	300
		300					
150	6	175	279	267	423.5	563	300
		300					
200	8	175	343	292	530.5	702	406
		300					
250	10	175	406	330	645	848	406
		300					
300	12	175	483	356	725.5	967	406
		300					

## Grooved Swing Check Valve

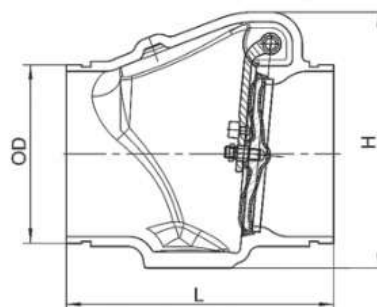
### VIG VF0322-G



Name of parts	Material
Body	Ductile iron
Seat Ring	Bronze
Disc Sealing Ring	EPDM
Disc plate	SS304
Disc	Ductile iron
Clapper Arm	Ductile iron
Bonnet Gasket	EPDM
Bonnet	Ductile iron
Hinge Pin	SS304
Hinge Bushing	Bronze
Hinge Plug	SS304

#### Technical data >

- Size: 2" ~ 12"
- Working pressure: 365psi
- Grooved standard: AWWA C606
- Temperature range: 0~80 C



Dimensions		Pressure rating psi	Size(mm)		
DN	inch		OD	L	H
50	2	365	60.3	167	122.5
65	2.5	365	73	180	136.5
			76.1		
80	3	365	88.9	198	165.5
100	4	365	114.3	229	193.5
125	5	365	139.7	254	235.5
			141.3		
150	6	365	165.1	272	252
			168.3		
200	8	365	219.1	330	314.5
250	10	362	273.1	435	395
300	12	362	323.9	510	460

## Flanged Swing Check Valve

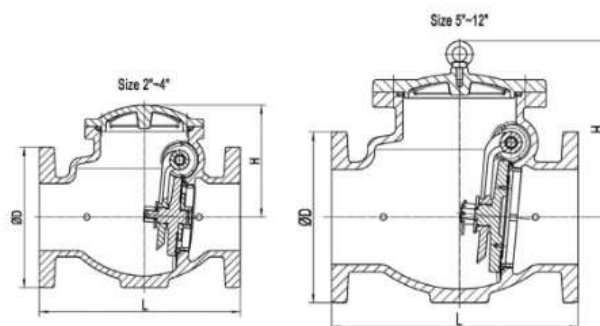
### VIG VF0311-M



Name of parts	Material
Body	Ductile iron
Seat Ring	Bronze
Disc Sealing Ring	EPDM
Disc plate	SS304
Disc	Ductile iron
Clapper Arm	Ductile iron
Bonnet Gasket	EPDM
Bonnet	Ductile iron
Hinge Pin	SS304
Hinge Bushing	Bronze
Hinge Plug	SS304

#### Technical data >

- Size: 2" ~ 12"
- Working pressure: 300psi
- Valve standard: AWWA C508
- Flange standard: ASME-B16.1 Class125
- Temperature range: 0~80 °C



Dimensions		Pressure rating	Size (mm)		
DN	inch		ΦD	L	H
50	2	300	152	203	125
65	2.5	300	178	254	139
80	3	300	191	279	153
100	4	300	229	330	184
125	5	300	254	356	275
150	6	300	279	406	289
200	8	300	343	496	352
250	10	300	406	559	411
300	12	300	483	660	480



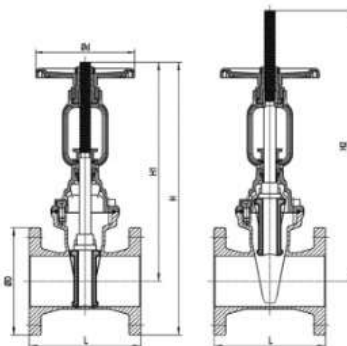
## Flanged Resilient Seated OS&Y Gate Valve

VIG VF0113-03

Name of parts	Material
Body	Ductile iron
Wedge	Ductile iron+EPDM
Stem nut	Bronze
Stem	SS431 or SS304,SS316,bronze
Bonnet	Ductile iron
Bonnet Gasket	EPDM
Sealing Ring	EPDM
Yoke	Ductile iron
Sliding disc	Bronze
Screw	Carbon steel with hot galvanization
O-rings	EPDM
Handwheel	Ductile iron

### Technical data >

- Size: 2"-12"
- Working pressure: 175psi, 300psi
- Flange standard: ASME-B16.1 Class125
- Temperature range: 0 ~ 80°C



Dimensions		Pressure rating	Size(mm)					
DN	inch		psi	ΦD	L	H1	H2	H
50	2	175	152	178	358.5	420.5	434.5	203
		300						
65	2.5	175	178	190	359.5	429.5	448.5	203
		300						
80	3	175	191	203	378	462	473.5	203
		300						
100	4	175	229	229	449.5	553	564	203
		300						
125	5	175	254	254	549.5	677	676.5	300
		300						
150	6	175	279	267	591.5	747	731	300
		300						
200	8	175	343	292	735.5	938	907	330
		300						
250	10	175	406	330	900.5	1161	1103.5	406
		300						
300	12	175	483	356	1045.5	1353	1287	406
		300						



## Grooved Butterfly Valve with Tamper Switch

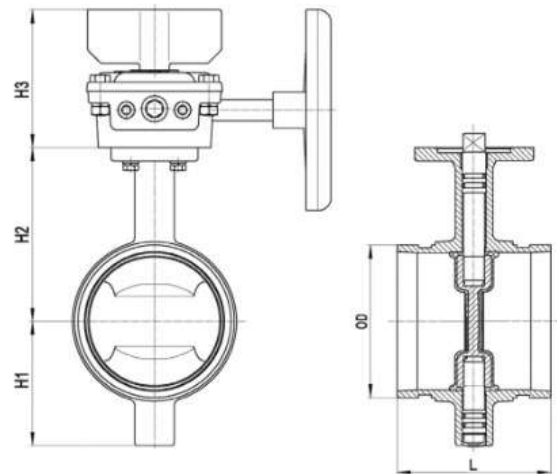
### VIG VF0811



#### Technical data >

- Size: DN50~DN200
- Working pressure: DN50~DN150 362psi, DN200 232psi
- Valve standard: MSS SP-67
- Grooved standard: AWWA C606
- Top Flange standard: EN ISO 5211
- Temperature range: 0~80 °C
- Suitable for indoor and outdoor use

Name of parts	Material
Body	Ductile iron
Plug	EPDM
Driven shaft	1Cr17Ni2
Disc	Ductile iron and EPDM
Actuating shaft	1Cr17Ni2
Bearing bush	Bronze
O-rings	EPDM
Gear operator	Ductile iron and steel



Dimensions		Pressure rating psi	Size(mm)					
DN	inch		OD	L	H1	H2	H3	Top Flange
50	2	362	60.3	81	56	91	103	F05
65	2.5		73		96.8			
		76.1						
80	3	362	88.9	96.8	75	111	103	F07
100	4	362	114.3	115.8	93	130	103	F07
125	5	362	139.7	147.6	111	153	103	F07
			141.3		111			
150	6	362	165.1	147.6	123	165	103	F07
			168.3		123			
200	8	232	219.1	133.4	160	194	109	F07